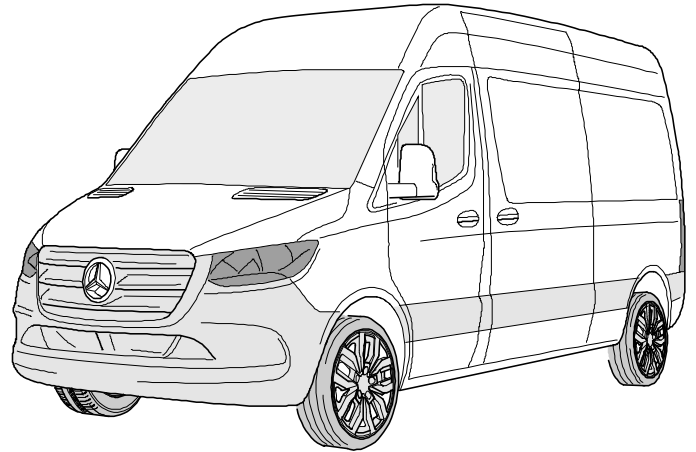
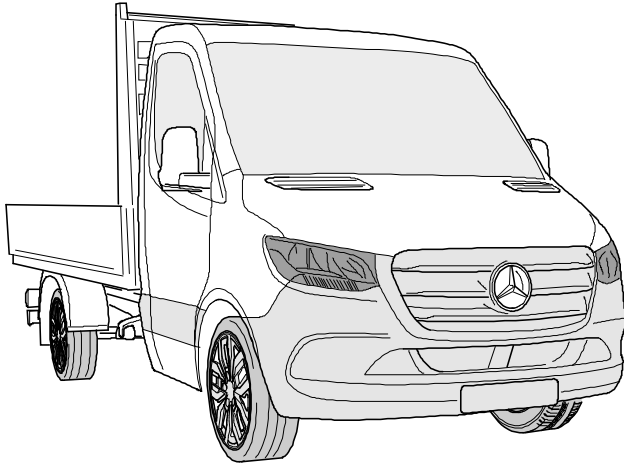




TOWBAR INSTALLATION INSTRUCTIONS

PART NUMBER 03313RW

MERCEDES SPR VAN VS30 FWD CL4



PRODUCT DETAILS:

Part Number: 03313RW
ECU Number: WLE70015
Tail Harness Length Required: 1800 mm
TBM/Lug Part Number: 21370
Wiring Part Number: WLL90015

Maximum Towing Braked: 2000 kg
Maximum Towing Unbraked: 750 kg
Maximum Static Ball Load: 200 kg

FITTING DETAILS:

Towbar Installation Time: 100 Mins.
Wiring Installation Time: 60 Mins.
Total Installation Time: 160 Mins.

Hayman Reese SmartCODE Solution Required: YES
RPA Disable/Other: YES

- Electric Brake = Brake Prep Connector
- Please refer vehicles owner's manual for proper operation and understanding of towing features enabled when coded.

Bumper Cut Required: No



TOWBAR INSTALLATION INSTRUCTIONS

PART NUMBER 03313RW

MERCEDES SPR VAN VS30 FWD CL4

ENSURE THAT INSTRUCTIONS ARE UNDERSTOOD PRIOR TO FITMENT.

i BEFORE YOU START:

Hayman Reese recommends that instructions are read completely prior to fitment. Check all hardware items have been included refer to assembly diagram. Please ensure this towbar is only fitted to vehicle models as per Hayman Reese application guide (www.haymanreese.com.au).

Bumper Cuts



Vehicle and bumper variations can and do occur during vehicle manufacture after initial towbar design. Fitment of towbar to vehicle and accuracy of bumper cut must be assessed prior to any bumper modifications made. Incorrect bumper cuts are not covered under Hayman Reese warranty.

NOTE: Bumper cuts need to be approached with care, refer to notes below.

- Bumper centreline – where the centreline of the bumper needs to be determined, the installer must assess centre point by measurement of bumper width or determining two symmetrical reference points to give centreline.
- Bumper edge – To assist with accurate bumper cut measurement, reference to the start of the bumper edge is now being commonly used.
 - Measure from bottom edge along bumper and around corner to the 70 mm point (Figure 1).
 - Do not measure from visible bumper front of corner, upwards (Figure 2).

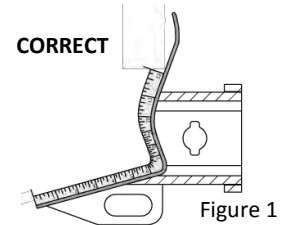


Figure 1

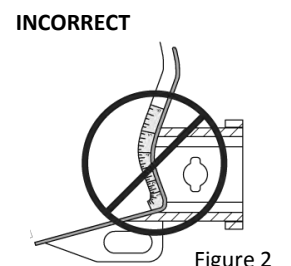


Figure 2

Drilling

- For any required drilling during installation, ensure that the area is clear of fuel, electrical & other components that may be damaged.
- All holes drilled into the body panels shall have all burrs & swarf removed then coated with a suitable rust preventative paint.

Bolts/Fasteners

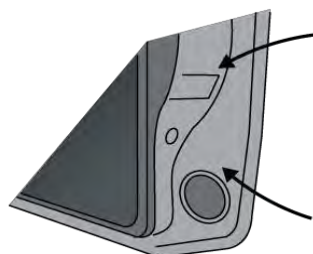
- Ensure that all hardware is fastened to correct torque as specified in this fitting instruction.
- All fasteners supplied with this product are used to achieve a specified clamp loading. If replacement is required ensure that fasteners of the same grade and class are used.



NOTE: Achieving correct torque is critical to proper installation and responsibility of the installer. Towbar failures attributed to tension issues from over tightening or under tightening are not covered by Hayman Reese warranty.

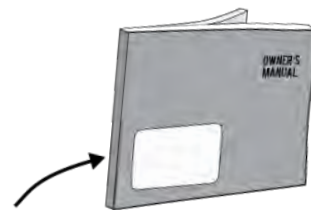
Product Labels

- a. Towbar load rating sticker provided with this product shall be conspicuously located on inside rear end of the driver's door.
- b. Powertrain Control Module (PCM)/Body Control Module (BCM) upgrade warning label will be provided in towbar kit for vehicles as required. Affix warning label in door and owner's handbook.



Place **Load Rating sticker** inside driver's door here

Place **Vehicle PCM/ BCM upgrade warning label** in door AND on front cover of owner's service handbook



WARNING:

Do not, drill, cut, weld or otherwise modify the towbar.

FOR TOWING PURPOSES ONLY - This towbar is designed and tested by Hayman Reese to adhere to ADR 62/02 which provides only for the expected load demands of towing.

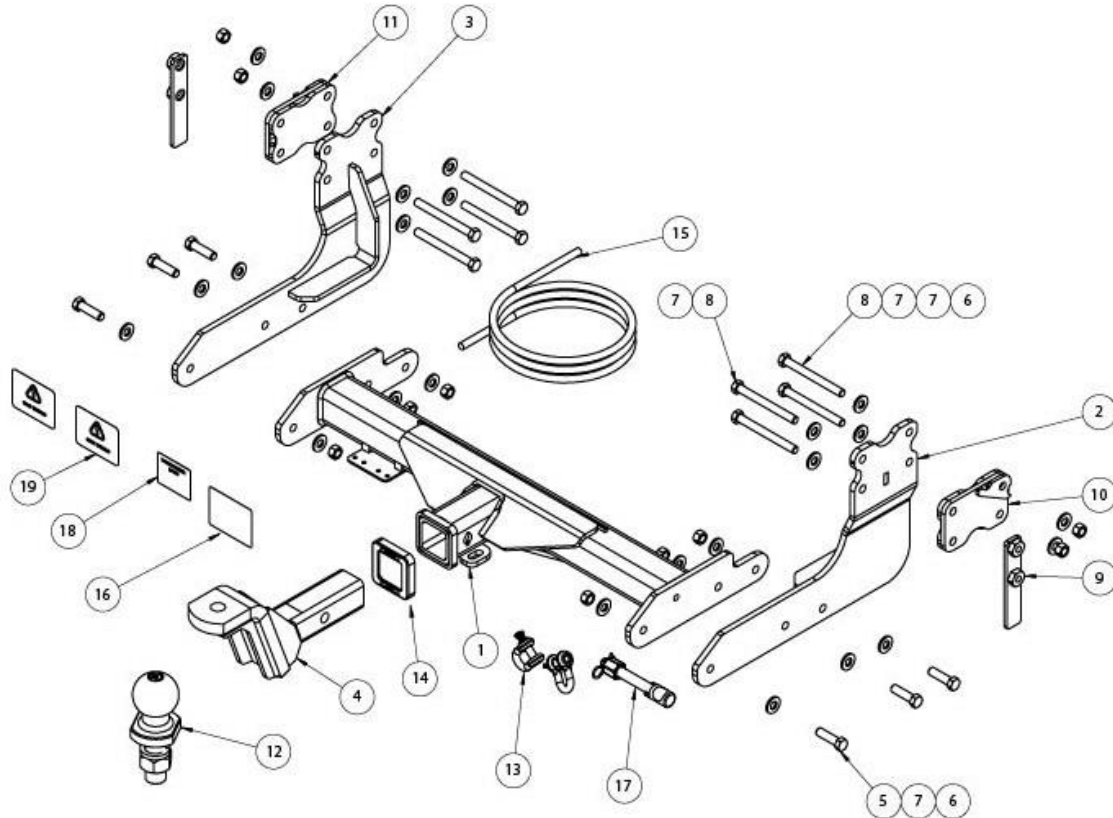


TOWBAR INSTALLATION INSTRUCTIONS

PART NUMBER 03313RW

MERCEDES SPR VAN VS30 FWD CL4

i TOWBAR ASSEMBLY DIAGRAM



ITEM	DESCRIPTION	QTY
1	MERCEDES SPR VAN WELDED ASSY	1
2	SIDE ARM ASSY RH	1
3	SIDE ARM ASSY LH	1
4	TRAILER BALL MOUNT	1
5	BOLT HEX HD M12x45x1.75P	6
6	NUT HEX HD M12x1.75P	10
7	WASHER PLAIN 1/2"	24
8	BOLT HEX HD M12x120x1.75P	8
9	FITTING PLATE ASSY	2
10	SPACER RHS	1

ITEM	DESCRIPTION	QTY
11	SPACER LHS	1
12	TOWBALL 50mm	1
13	"D" SHACKLE 10mm	2
14	HITCH BOX COLLAR COVER	1
15	WIRE LOOM	1
16	COMPLIANCE LABEL	1
17	SMART PIN GOLD	1
18	H.R STICKER	1
19	CAN WARNING LABEL	2

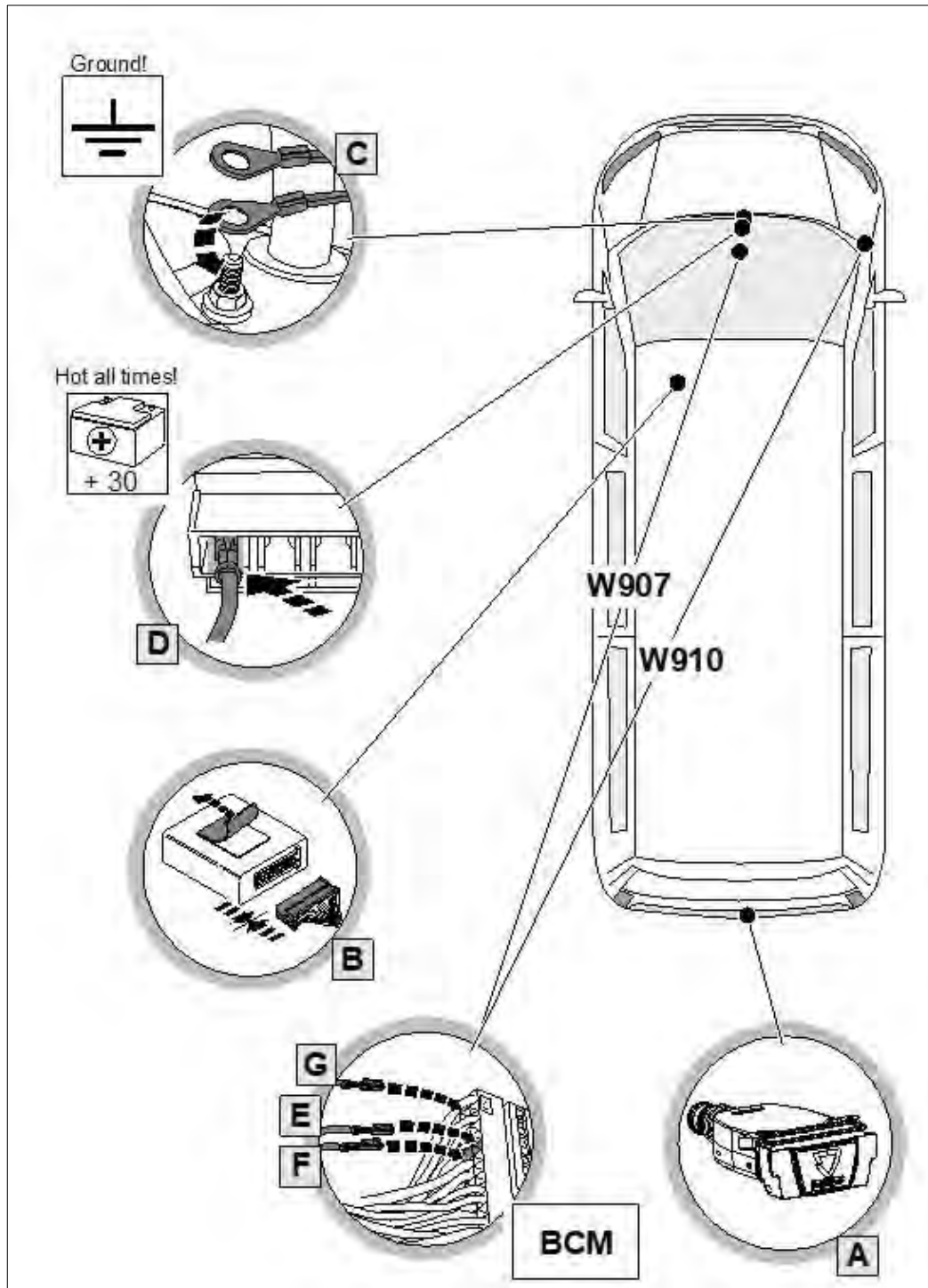


TOWBAR INSTALLATION INSTRUCTIONS

PART NUMBER 03313RW

MERCEDES SPR VAN VS30 FWD CL4

i WIRING ASSEMBLY DIAGRAM

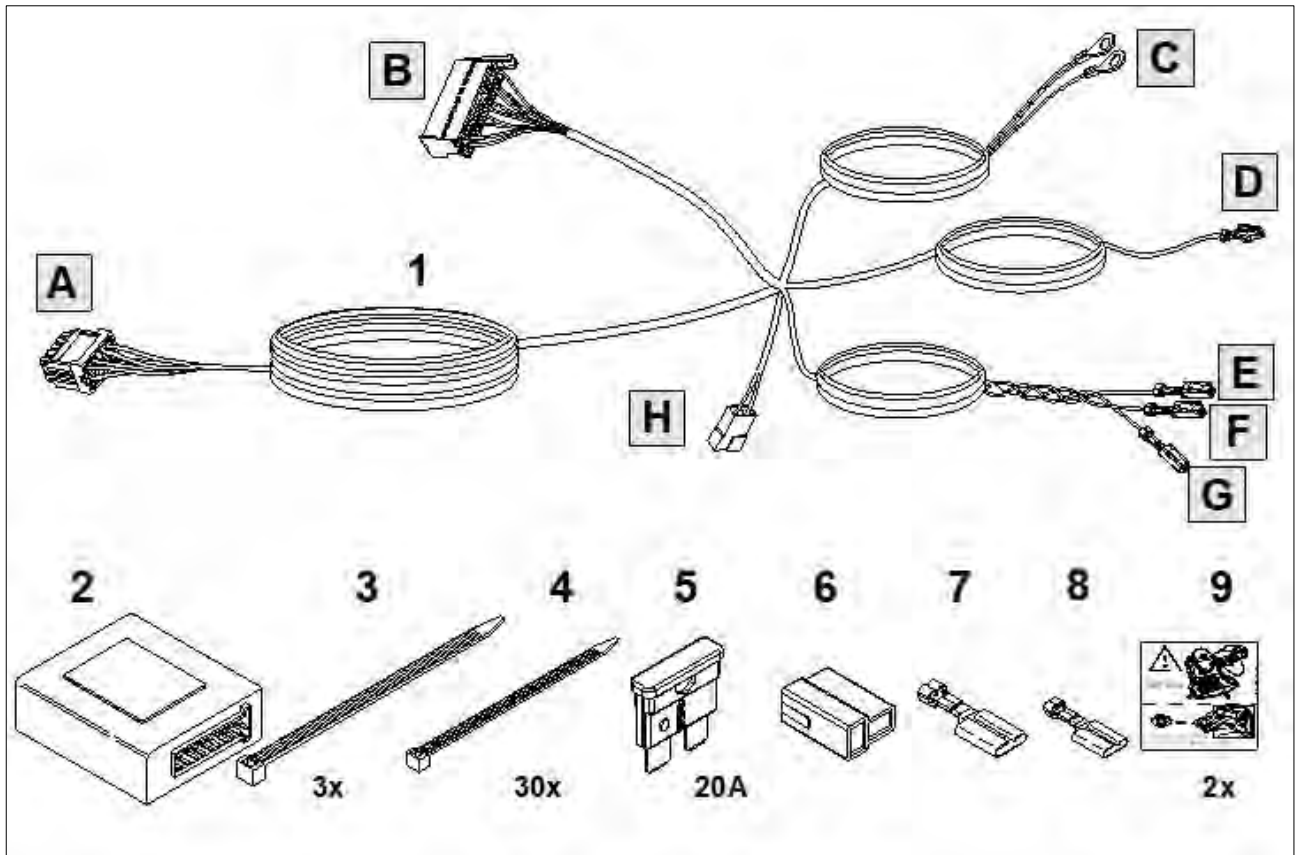




TOWBAR INSTALLATION INSTRUCTIONS

PART NUMBER 03313RW

MERCEDES SPR VAN VS30 FWD CL4



ITEM	DESCRIPTION	QTY
1	Main Harness	1
2	Trailer module (WLE70015)	1
3	Tie Straps 300mm	3
4	Tie Straps 150mm	30
5	20amp fuse	1
6	Brake controller 2-pin housing	1
7	Brake controller plug pin – small	1
8	Brake controller plug pin – large	1
9	Label Diagnostics CAN-Module	2



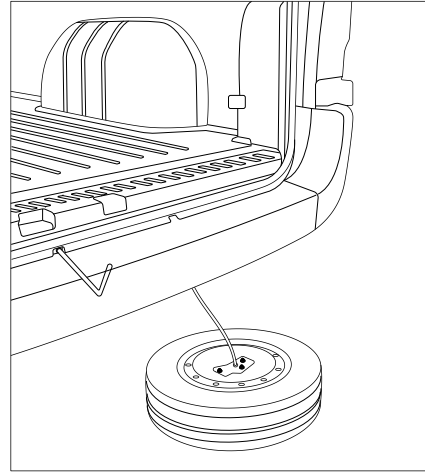
TOWBAR INSTALLATION INSTRUCTIONS

PART NUMBER 03313RW

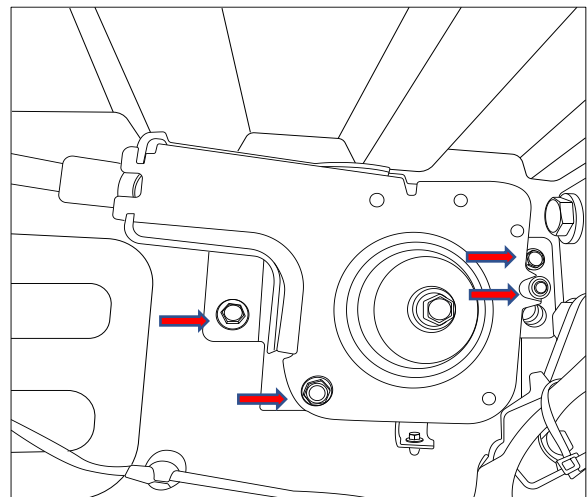
MERCEDES SPR VAN VS30 FWD CL4

Note: Position the vehicle to a safe working height.

1. Lower the spare wheel fully.



2. Unscrew 4x screws and Remove the spare wheel lifting device.



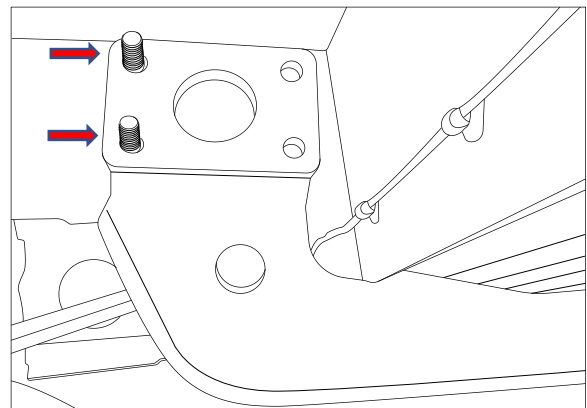
3. Image shown the driver side chassis rail.

Remove and discard the existing 3x bolts and 3x nuts.

Replace with new supplied 2x M12 bolts with 2x washer.

Insert RHS spacer plate.

Repeat for the other side.





TOWBAR INSTALLATION INSTRUCTIONS

PART NUMBER 03313RW

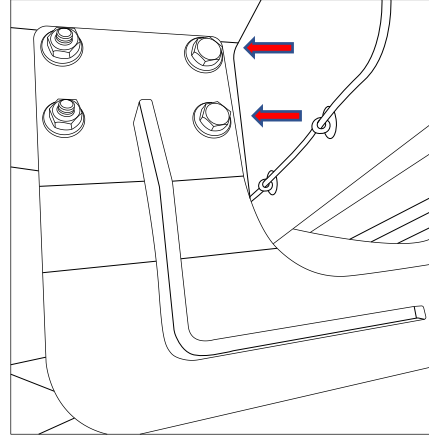
MERCEDES SPR VAN VS30 FWD CL4

4. Fit the RHS side arm bracket and loosely secure with 2x washer and 2x M12 nuts.

Insert the next 2x M12 bolts with 2x washer in the side arm.

Fit the nut plate on the other side of bolts and loosely secure the bolts.

Repeat for the other side.



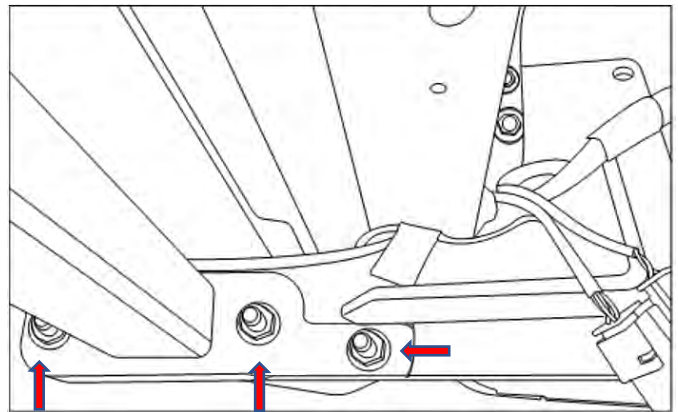
5. Place the cross-tube assembly between the side arm.

Secure with 3x M12 bolts, 6x washers and 3x nuts.

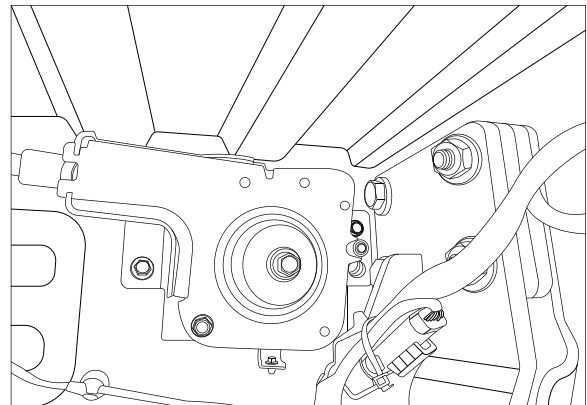
Repeat for other side.

Tightening all fastener to specification.

Torque specification
M12 bolts = 77 Nm



6. Re install the spare wheel lifting device
Rise the spare back in place.





TOWBAR INSTALLATION INSTRUCTIONS

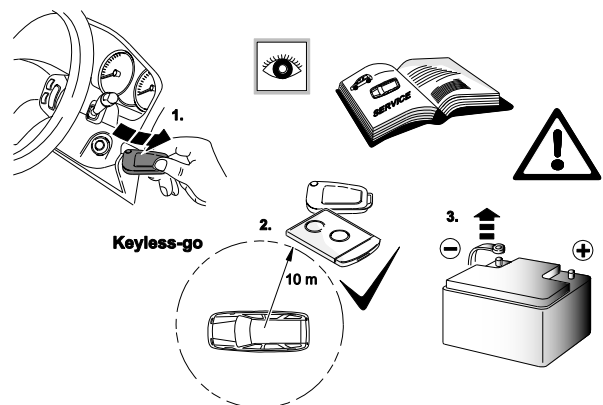
PART NUMBER 03313RW

MERCEDES SPR VAN VS30 FWD CL4

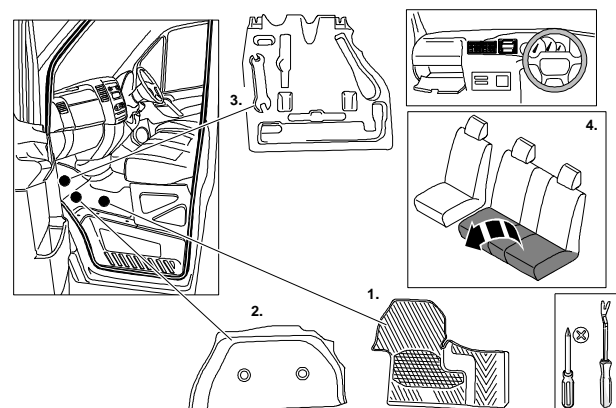
IMPORTANT

Due to possible vehicle variations, always confirm any noted vehicle colour wires with a multi-meter to ensure the correct function is identified before soldering or scotch locking. For vehicle wires denoted with two colours (example; RED/GREEN) the first colour will always be the main wire colour while the second colour is the thinner trace colour on the wire.

7. Turn off the ignition and remove the key.
8. Keep the keys within 10m of the car if you have Keyless-go to avoid problems.
9. Dismantle the plate from the floor in front of the passenger seat to access the battery cover and disconnect the battery.



10. Remove all plastic parts under the glove box according the view to access to the fuse box.



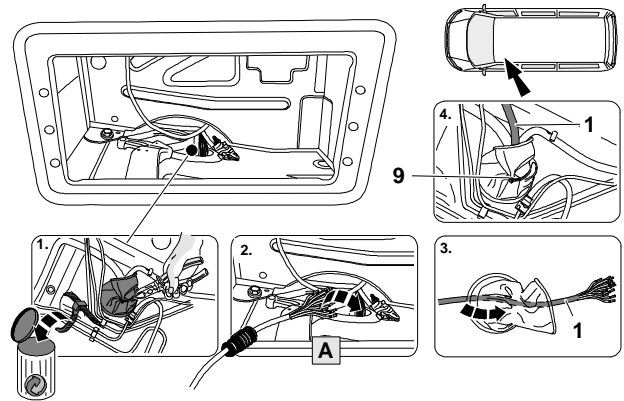


TOWBAR INSTALLATION INSTRUCTIONS

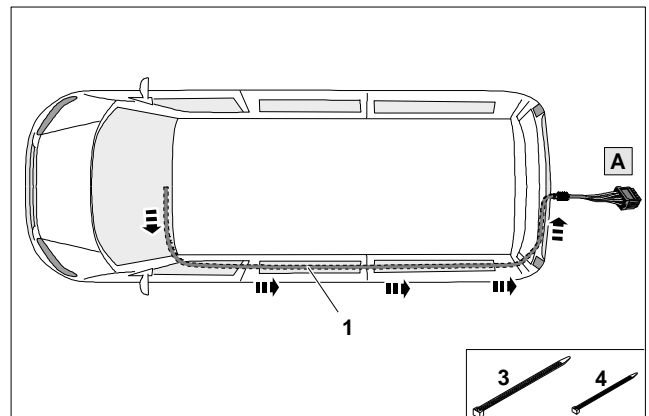
PART NUMBER 03313RW

MERCEDES SPR VAN VS30 FWD CL4

11. Remove the plastic access panel located under the front passenger seat to reveal the vehicle harness grommet.
12. From underneath the vehicle cut the cable tie.
13. Pull the trailer harness (WLL90015) patch blue connector through the grommet until reached the branch of the harness.
14. Strap the grommet back to the harness with enclosed tie straps.

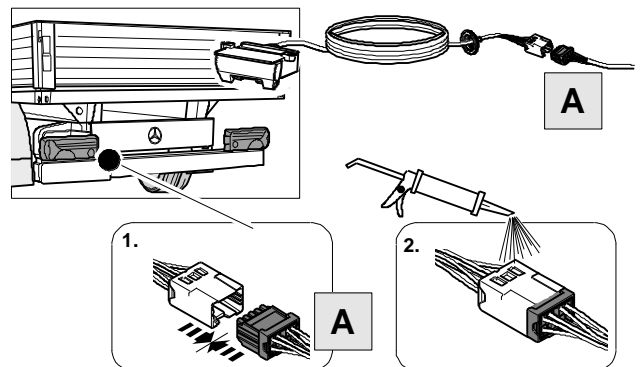


15. Route the trailer harness to the socket plate and fix the trailer harness with enclosed tie straps.



16. Connect tail harness with 8-way connector to outside trailer harness connector (A).

Waterproof the trailer harness 8-way connector (A) and the tail harness 8-way male connector, using silicone or grease.





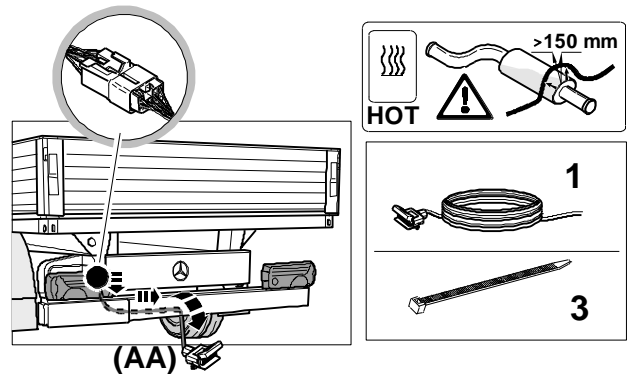
TOWBAR INSTALLATION INSTRUCTIONS

PART NUMBER 03313RW

MERCEDES SPR VAN VS30 FWD CL4

17. Route the trailer harness to the socket plate and fix the trailer harness with enclosed tie straps.

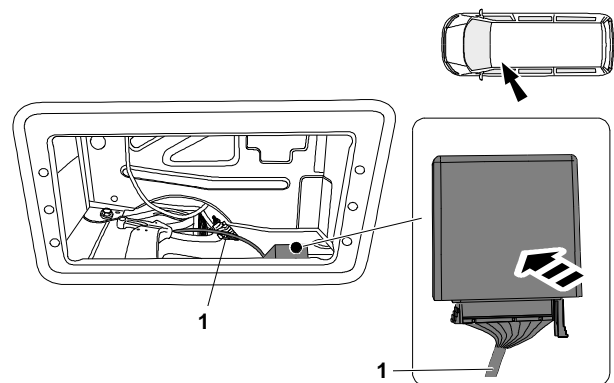
Mount the trailer socket. (AA)



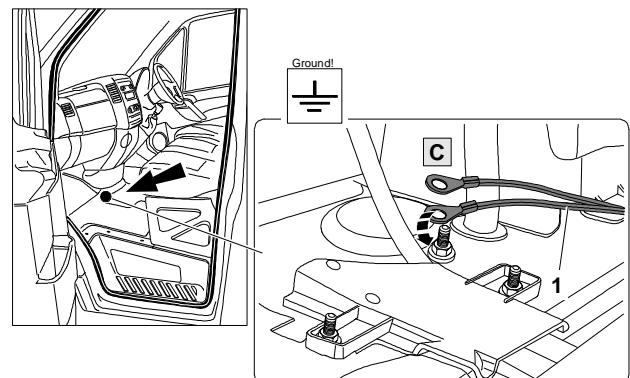
18. Plug the ECU item (2) into the trailer patch item (1) location (B).

19. Peel the backing of the adhesive tape of the rear of the ECU and mount the ECU in the location shown.

Ensure the tape has good adhesion.



20. Route the trailer patch harness item (1) towards the fuse box.
21. Connect the trailer patch ring terminals item (1) location (C) to the factory ground stud located left of the centre dash.



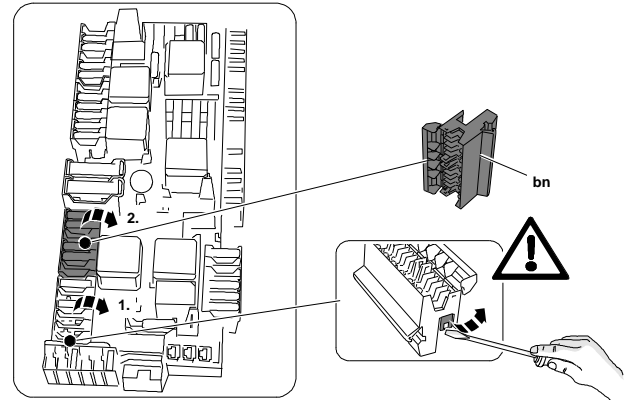


TOWBAR INSTALLATION INSTRUCTIONS

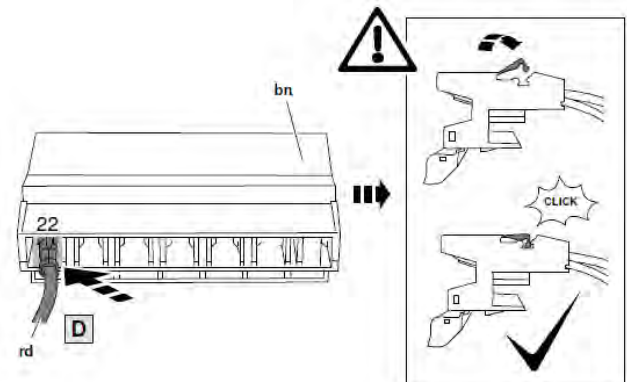
PART NUMBER 03313RW

MERCEDES SPR VAN VS30 FWD CL4

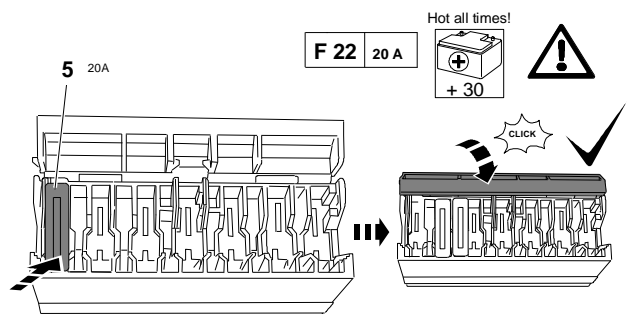
22. To remove the fuse blocks, lift these tabs each side and lift up and disconnect the block from the main fuse box body.
23. Start with the grey block on the end in order to make the removal of the brown block easier.



24. Unlock a secondary lock.
25. Insert wire D from harness.
26. Ensure proper locking of secondary lock after finishing of the installation.



27. Insert fuse 20A (no. 5) from the kit to revive the harness.
28. Ensure proper locking of secondary lock after finishing of the installation.





TOWBAR INSTALLATION INSTRUCTIONS

PART NUMBER 03313RW

MERCEDES SPR VAN VS30 FWD CL4

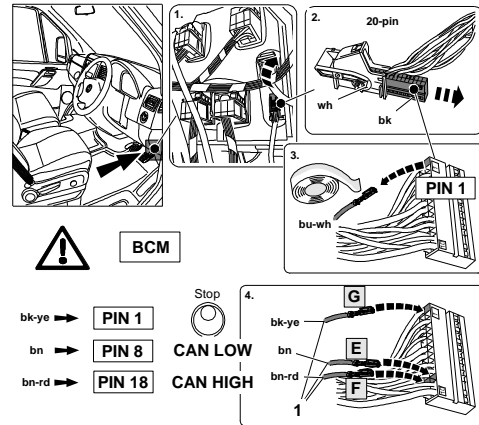
29. W907: BCM is located in the front on driver side under the side panel.
30. Pull out the black connector from the white locking mechanism.
31. If PIN 1 is populated with Blue/White wire un-house and tape back to main harness.
32. Insert the trailer patch terminals item (1) position (E), (F), and (G) into the following pin assignment:

PIN 1 = Black/Yellow
PIN 8 = Brown
PIN 18 = Brown/Red

Note:

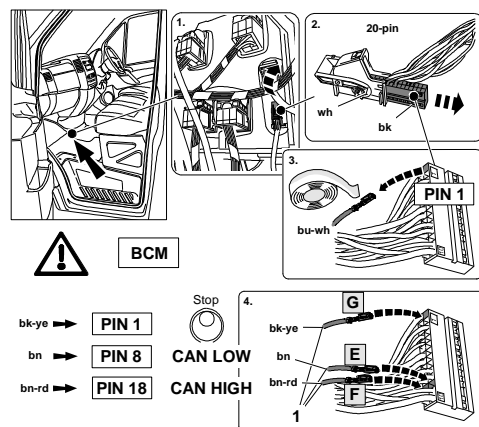
If the vehicle connector pins 8 and 18 are populated, then insert into cavity pin 9 and 19.

PIN 1 = Black/Yellow
PIN 9 = Brown
PIN 19 = Brown/Red



33. W910: BCM is located in the front centre lower part of the dash.
34. Pull out the black connector from the white locking mechanism.
35. If PIN 1 is populated with Blue/White wire un-house and tape back to main harness.
36. Insert the trailer patch terminals item (1) position (E), (F), and (G) into the following pin assignment:

PIN 1 = Black/Yellow
PIN 8 = Brown
PIN 18 = Brown/Red



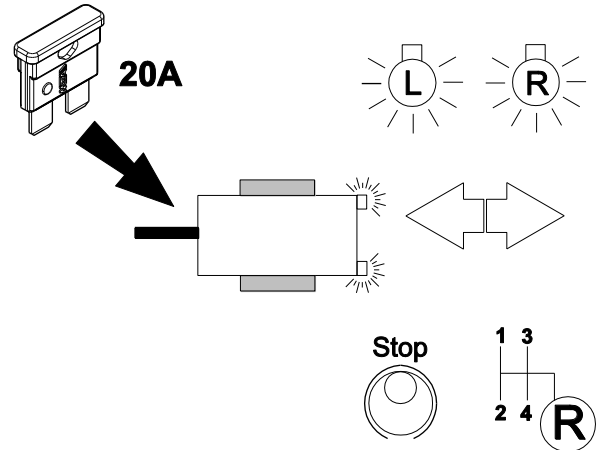


TOWBAR INSTALLATION INSTRUCTIONS

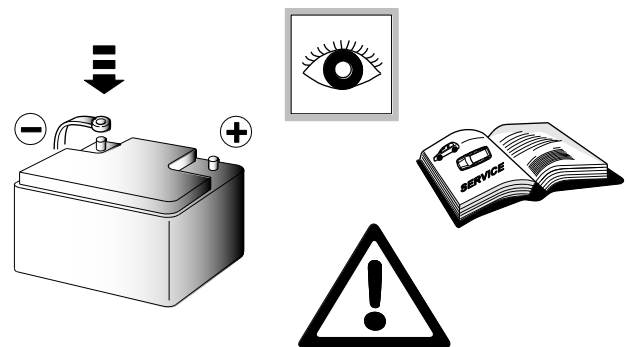
PART NUMBER 03313RW

MERCEDES SPR VAN VS30 FWD CL4

37. Information service.
(Note step 20.)



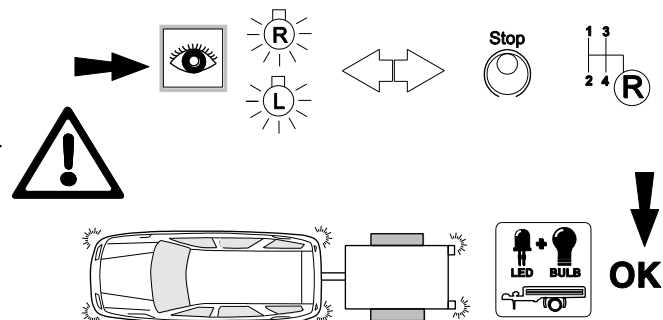
38. Reconnect the battery.



39. Check all light functions.

Before testing the lights with a tester or trailer connected, the trailer module must be activated by putting your foot on the brake.

This allows the module to detect if a trailer is connected. Once a trailer is disconnected, another press on the brake will enable the module to detect no trailer is connected.



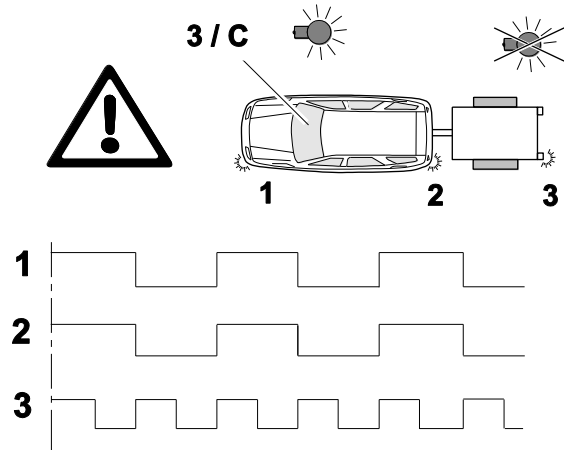


TOWBAR INSTALLATION INSTRUCTIONS

PART NUMBER 03313RW

MERCEDES SPR VAN VS30 FWD CL4

40. A trailer bulb out condition is indicated with an increased indicator frequency as well as a display on the dash.



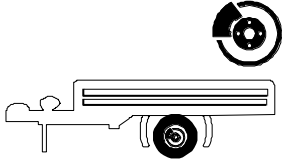


TOWBAR INSTALLATION INSTRUCTIONS

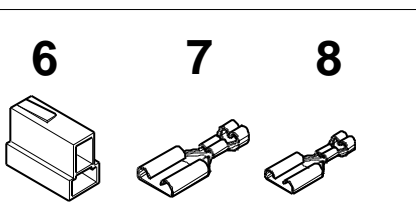
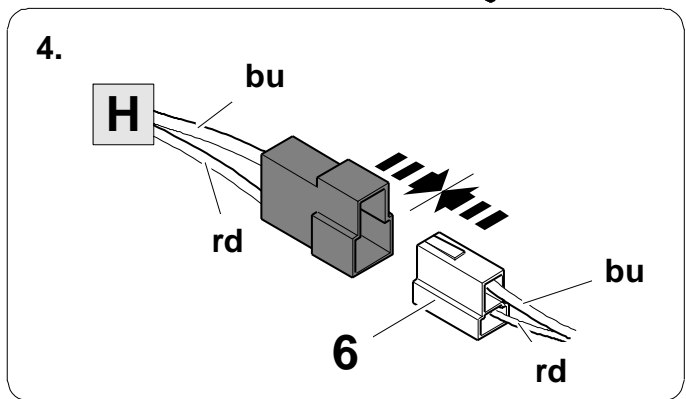
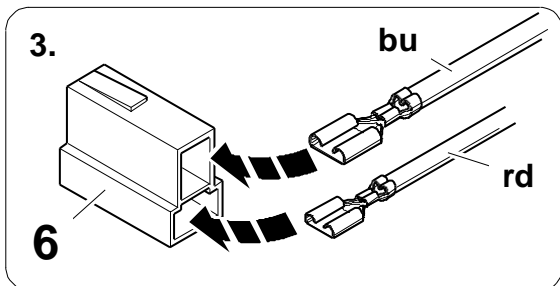
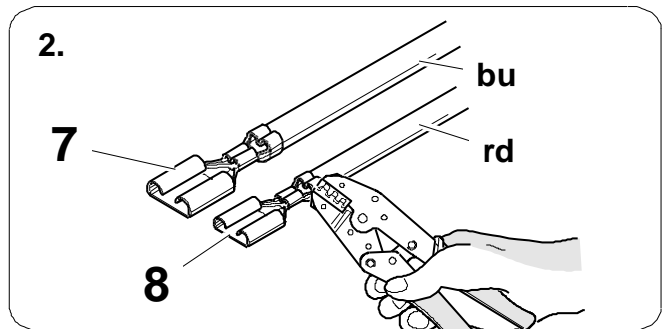
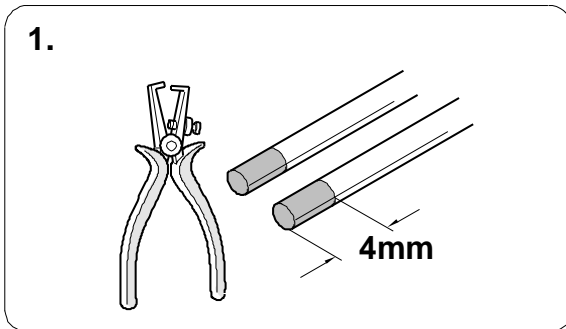
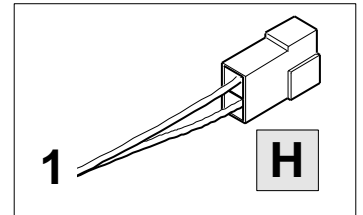
PART NUMBER 03313RW

MERCEDES SPR VAN VS30 FWD CL4

**BRAKE
CONTROLLER
PREPARED**



Trailer Brake Preparation





CUSTOMER INFORMATION

PLACE THESE INSTRUCTIONS IN THE
VEHICLE'S GLOVEBOX AFTER INSTALLATION

**THANK YOU FOR PURCHASING HAYMAN REESE.
WITH CORRECT MAINTENANCE AND CARE THIS PRODUCT WILL PROVIDE A
LIFETIME OF TROUBLE-FREE OPERATION.**

i TOWBAR MAINTENANCE AND CARE:

1. Hayman Reese recommend that the towbar LUG or TBM (tow ball Mount) Pull Pin and R-clip are removed and stored when not in use. Removal of LUG or TBM (tow ball mount) is advisable when not in use to assist with any of the following.
 - Ensure rear number plate is not obscured.
 - Allow maximum available departure angle and prevent any potential interference.
 - Prevent possible interference with vehicles reverse sensors or camera detecting a tow ball mount as an obstruction during reversing.
 - Removes towball mount as an obstruction for when moving around the rear of the vehicle.
2. Hayman Reese recommends routine inspection of your towbar to ensure trouble free towing.
 - Bolt security and tension should be regularly inspected and checked for correct tension. Replace any worn or defective parts with suitable grade & class fasteners. Inspection should be requested to coincide with vehicle major services.
3. It is the owner's responsibility to ensure towing and down ball weight capacities of the towing vehicle are not exceeded.
 - Towing and down ball weights allowable may differ according to model variations. Please refer to owner's manual or vehicle dealer to confirm exact rating for your vehicle model variant.
 - It is not uncommon for the vehicle tow rating to differ from the towbar rating. When this occurs, the lesser rating must be adhered to.
 - For vehicles fitted with enhanced vehicle functions that may be altered/changed when towing i.e Trailer sway mitigation, blind spot detection, adaptive cruise control etc. Please consult owner's manual to understand changes enabled when towing and after towing.

i WARRANTY INFORMATION:

Hayman Reese Towbars are covered by a Lifetime Warranty.

Our goods come with guarantees that cannot be excluded under the Australian Consumer Law. You are entitled to a replacement or refund for a major failure and for compensation for any other reasonably foreseeable loss or damage. You are also entitled to have the goods repaired or replaced if the goods fail to be of acceptable quality and the failure does not amount to a major failure.

For further details please visit www.haymanreese.com.au/warranty or contact customer service on 1800 812 017 or info@haymanreese.com.au.



CUSTOMER INFORMATION

PLACE THESE INSTRUCTIONS IN THE VEHICLE'S GLOVEBOX AFTER INSTALLATION

HAYMAN REESE SMART PIN

Your Hayman Reese towbar is equipped with Smart Pin technology to help reduce towbar tongue rattle in most driving conditions. Please ensure below instructions are understood and routine maintenance is carried out to ensure best towing experience.

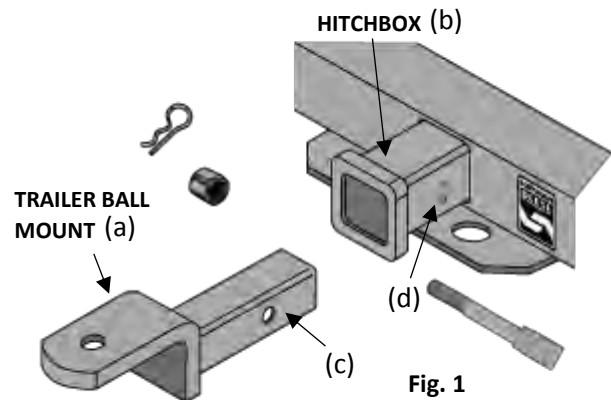
i Regularly inspect for wear and check the tightness of the Smart Pin Nut. Follow instructions below to re-tighten the nut as necessary when movement and noise in the tow ball mount is noted.

- Before towing, ensure R-Clip is properly installed and Smart pin nut is installed and tensioned. Replacement parts are available from your Hayman Reese Distributor.

TOWBALL MOUNT REMOVAL/INSTALLATION

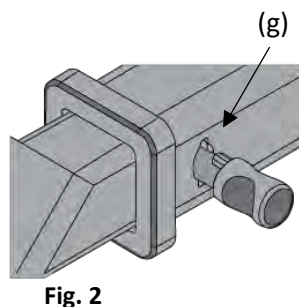
STEP 1

Insert Trailer Ball Mount (TBM) (a) into towbar hitchbox (b), aligning hole in TBM shank (c) with hole in hitchbox (d) (Fig. 1)



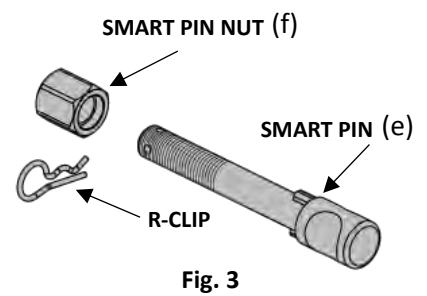
STEP 2

Insert Smart Pin (e) through hole in hitchbox and hole in TBM shank (g); ensure the locators are inserted into the notches in the hitchbox (Fig. 2)



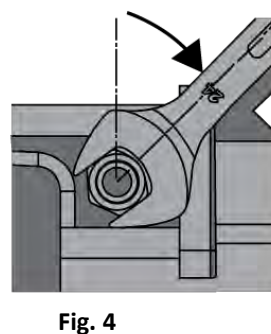
STEP 3

Screw Smart Pin Nut (f) onto Smart Pin (g); tighten Smart Pin Nut until finger tight, ensuring TBM is restrained from up and down movement.



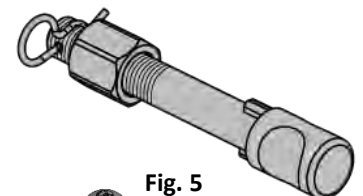
STEP 4

Tighten Smart Pin Nut by turning nut a further 1/8th of a turn in the clockwise direction using a 24mm spanner (Fig. 4).



STEP 5

Install Smart Pin R-Clip through the hole that provides best clearance or easiest access. (Fig. 5)



STEP 6

Install towball onto TBM and tighten to **350 Nm** using a calibrated torque wrench (Fig. 6).

