

**HAYMAN REESE**  
**PART No: 2598RLW**  
**MERCEDES E CLASS SEDAN**

## INSTALLATION INSTRUCTIONS

PLEASE ENSURE THAT INSTRUCTIONS ARE UNDERSTOOD PRIOR TO FITMENT



**Towbar Installation Instructions**  
**Mercedes E Class Sedan**

**Towbar capacity**

**Part Number 2598RLW**

**Max Towing Braked 1900 kg**  
**Max Static Ball Load 84 kg**

Hayman Reese (Cequent)  
PO Box 4050, Dandenong South VIC 3164  
Phone 1800 812 017 Email [info@haymanreese.com.au](mailto:info@haymanreese.com.au)

# HAYMAN REESE

PART No: 2598RLW

MERCEDES E CLASS SEDAN

## INSTALLATION INSTRUCTIONS

PLEASE ENSURE THAT INSTRUCTIONS ARE UNDERSTOOD PRIOR TO FITMENT

### Warning:

1. Do not, drill, cut, weld or otherwise modify the towbar.
2. If you are using electric welding on a motor vehicle, **always** check that the vehicle is not equipped with electronic engine or instrument management equipment. Failure to do so could **destroy** any onboard computers. If in doubt, check with the vehicle's manufacturer.
1. **General:** Ensure all hardware items have been included refer to assembly diagram.
2. It is recommended that the instructions are read through and completely understood before making any attempt to fit this product.
3. Be wary of any changes to vehicle designs or other accessories that may conflict with the installation of this product.
4. Before drilling ensure that the area is clear of fuel, electrical & other components.
5. All holes drilled into the body panels shall have all burrs & swarf removed then coated with a suitable rust preventative paint.
6. The high tensile fasteners supplied with this product were used to achieve the specified rating. If replacement is required ensure that fasteners of the same rating & quality are used. Contact an authorised **Hayman Reese** dealer if further information is required.
7. Ensure that all hardware is fastened to torque list below check fasteners on regular basis.
8. Towbar load rating sticker provided with this product shall be conspicuously located on inside rear end of the driver's door. **(See diagram below).**
9. Hayman Reese recommends that you check your tow ball to ensure that it complies with the Australian standards **AS 4177.2**.
10. **PLEASE NOTE:** It is advised to remove your lug or tbn when not actually towing so as to produce a clear view of the vehicles registration plate if obscured, and to also provide maximum available departure angle.

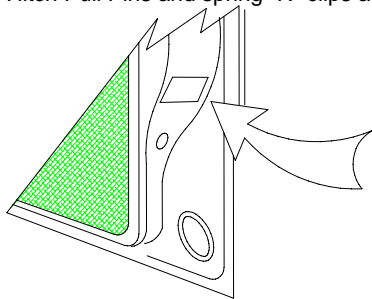
### Tow bar Maintenance and Care.

Hayman Reese recommends that bolt torque's, as listed below, are routinely and regularly inspected and checked for correct tension. Replace any worn or defective parts.

We recommended to remove Tow Ball Mounts (TBM's, tongues or lugs) when not being used for any considerable length of time.

So as to avoid injury, when not towing it is suggested that the tongue, Pull Pin and R-clip are removed then stored in a safe, clean and dry place, away from excessive moisture.

Hitch Pull Pins and spring "R" clips are regularly checked for proper installation. Replace any worn or defective parts.



Place load rating sticker  
inside driver's door here

### **RECOMMENDED ASSEMBLY TORQUE LISTING**

#### **Diameter Grade 8.8 Bolt**

M6	9.5 Nm
M8	21.7 Nm
M10	43.4 Nm
M12	77.3 Nm
M14	146 Nm
M16	189.8 Nm

### **FOR TOWING PURPOSES ONLY**

For towing capacity details please refer to vehicle owner's manual or to the manufacturer. Overloading can void your warranties.

Issue Date 03/07/09

Page 2

Part No: 2598RLW

**HAYMAN REESE**  
**PART No: 2598RLW**  
**MERCEDES E CLASS SEDAN**  
**INSTALLATION INSTRUCTIONS**

PLEASE ENSURE THAT INSTRUCTIONS ARE UNDERSTOOD PRIOR TO FITMENT

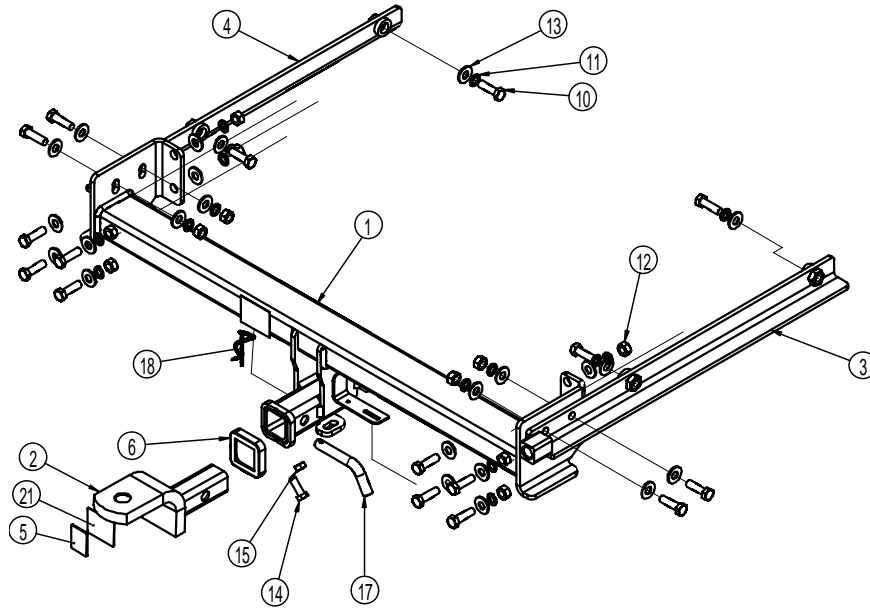


Figure 1 – Layout Diagram.

ITEM NO	QTY.	DESCRIPTION	TORQUE
1	1	MERCEDES E CLASS WELDED ASSEMBLY	
2	1	TRAILER BALL MOUNT	
3	1	DRIVER SIDE INSERT	
4	1	PASSENGER SIDE INSERT	
5	1	HAYMAN REESE LOGO STICKER	
6	1	RL H/BOX C/COVER BLANK	
7	1	COMPLIANCE PLATE - HR	
8	1	BOLT PACK	
9	2	PLASTIC SHEET BAG	
10	16	Bolt M12-1.25x40 GR 8.8	93Nm
11	16	M12 X 4.0 X 2.5 SPRING WASHER	
12	12	Nut hx M12-1.25 z/p	
13	24	WASHER M12x28.8x3mm	
14	1	M10 x 30 1.5P BOLT	49Nm
15	1	NUT M10 x 1.5 Z/P HX NUTS	
16	1	BRAND BAG	
17	1	PULL PIN	
18	1	SPRING COTTER PIN	
19	1	Warranty Card	
20	1	FITTING INSTRUCTIONS	
21	1	ACRYLIC TONGUE LABEL	

# HAYMAN REESE

PART No: 2598RLW

MERCEDES E CLASS SEDAN

## INSTALLATION INSTRUCTIONS

PLEASE ENSURE THAT INSTRUCTIONS ARE UNDERSTOOD PRIOR TO FITMENT

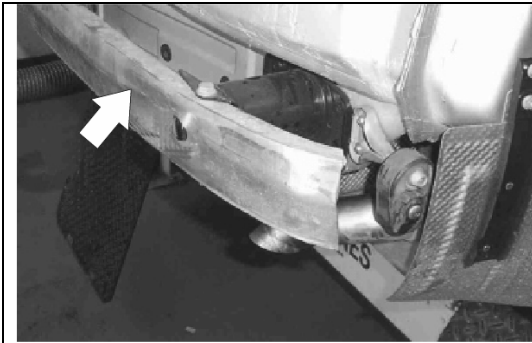



Figure 2 – Remove Bumper support.

1. Remove the Rear Bumper from the vehicle. Refer to manufacturer's manual.
2. Undo four bolts on either side to remove Bumper Support and discard it. Refer to Figure 2.

Note: If Towbar is removed, Bumper Support should be re-fitted.

 Position the vehicle on to a safe working height on the hoist before commencing fitment.

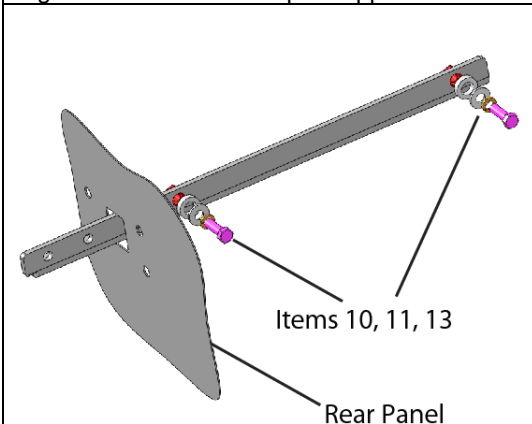



Figure 3 – Secure Chassis Inserts.

3. Insert Chassis Inserts (Items 3 and 4) into the respective left and right hand positions, align with holes.
4. Loosely secure with M12x1.25x40 Bolts, Spring Washers & Flat Washers (Items 10, 11 & 13). Refer to Layout Diagram on Page 3 and Figure 3.

Note: LHS shown, mirror for RHS.

 Important: Please take time to identify the LHS & RHS Chassis Inserts.

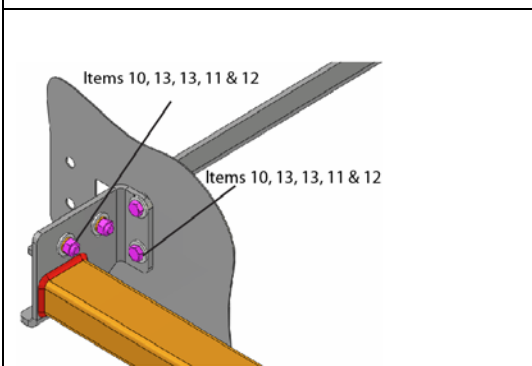


Figure 4 – Secure towbar to chassis inserts and rear panel.

5. Loosely secure the towbar assembly (item 1) to the LH and RH inserts (items 3 and 4) and also to the rear panel, using M12 x 1.25 x 40 bolts, flat washer, spring washer and nut. Refer to Figure 4.

Note: LHS shown, mirror for RHS.

# HAYMAN REESE

PART No: 2598RLW

MERCEDES E CLASS SEDAN

## INSTALLATION INSTRUCTIONS

PLEASE ENSURE THAT INSTRUCTIONS ARE UNDERSTOOD PRIOR TO FITMENT

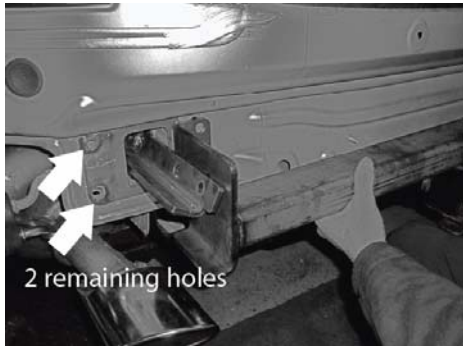



Figure 5 – Fit Bolts in spare holes to hold exhaust Muffler.

6. Torque the bolts to required torque mentioned on page 3.

 Important: Fit M12 bolts, Spring washer, Flat washers and M12 nut (items 10, 13, 13, 11 & 12), on the remaining 2 holes of the bumper support, to hold the exhaust muffler. Holes are shown in Figure 5.

7. Fit the bumper back in the reverse order.

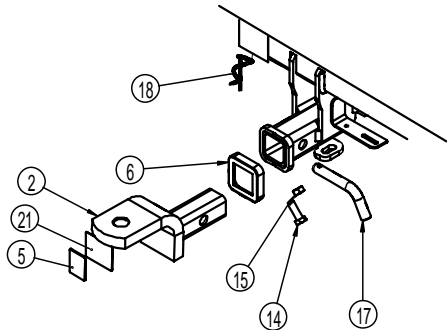



Figure 6 – Secure Tongue to Towbar.

8. Apply firm even pressure to secure the plastic hitch box cover (item 6) to the towbar. Refer to Figure 6.

9. Insert the tongue (item 2) into the hitch box and secure with pull pin and R Clips (item 17 & 18). Refer to Figure 6.

10. Secure the towball to the tongue (item 2). Refer to Figure 6.

 Important: Remove the tongue (item 2) and fit hitch box insert (item 6) when towbar is not in use, otherwise it may cause injury.

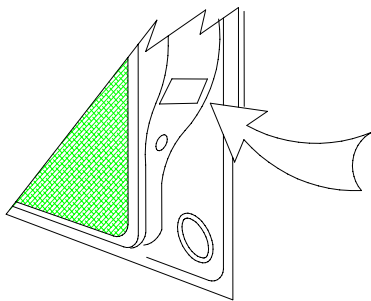


Figure 7: Affix Load rating Label.

11. Position the load rating label (item 21) on the inside of driver's door column. Refer to Figure 7.

**HAYMAN REESE**  
PART No: 100179-WL  
MERCEDES E-CLASS

## **INSTALLATION INSTRUCTIONS**

PLEASE ENSURE THAT INSTRUCTIONS ARE UNDERSTOOD PRIOR TO FITMENT

### **Wiring Loom Installation Instructions**

**MERCEDES E-CLASS**  
Part No: 100179-WL  
ECU: 04826

**Tail Harness Length Required: 1200mm**

**Note: Factory RPA cannot be overridden, however it can be disabled through a switch on the vehicle dash.**

**Wiring Loom Installation Time: Approx 30 Mins**

Issue Date 22-09-10

Page 1

Part No: 100179-WL

Hayman Reese (Cequent)  
PO Box 4050, Dandenong South VIC 3164  
Phone 1800 812 017 Email [info@haymanreese.com.au](mailto:info@haymanreese.com.au)

[www.haymanreese.com.au](http://www.haymanreese.com.au)

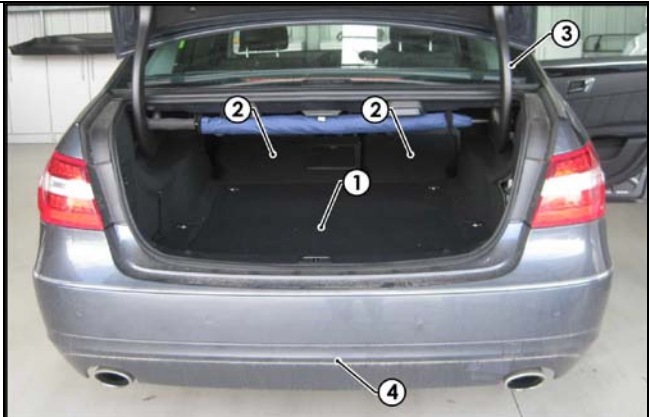


**HAYMAN REESE**  
**PART No: 100179-WL**  
**MERCEDES E-CLASS**

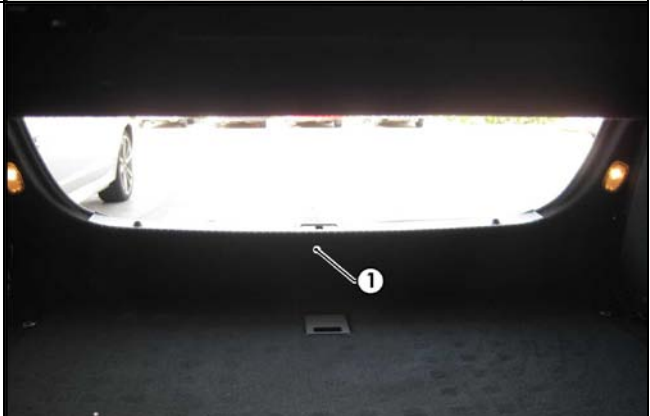
# INSTALLATION INSTRUCTIONS

**PLEASE ENSURE THAT INSTRUCTIONS ARE UNDERSTOOD PRIOR TO FITMENT**

1. In the luggage compartment, remove the floor carpet cover (1).
2. Fold the rear seats (2) forwards.
3. Remove the RHS boot hinge cover trim (3).
4. From outside the vehicle, remove the rear bumper (4).



5. Back inside the luggage compartment, remove the rear trim (1).



6. Remove the LHS access panel cover (1).



Issue Date 22-09-10

Page 2

Part No: 100179-WL

Hayman Reese (Cequent)  
PO Box 4050, Dandenong South VIC 3164  
Phone 1800 812 017 Email [info@haymanreese.com.au](mailto:info@haymanreese.com.au)



**HAYMAN REESE**  
**PART No: 100179-WL**  
**MERCEDES E-CLASS**

**INSTALLATION INSTRUCTIONS**

**PLEASE ENSURE THAT INSTRUCTIONS ARE UNDERSTOOD PRIOR TO FITMENT**

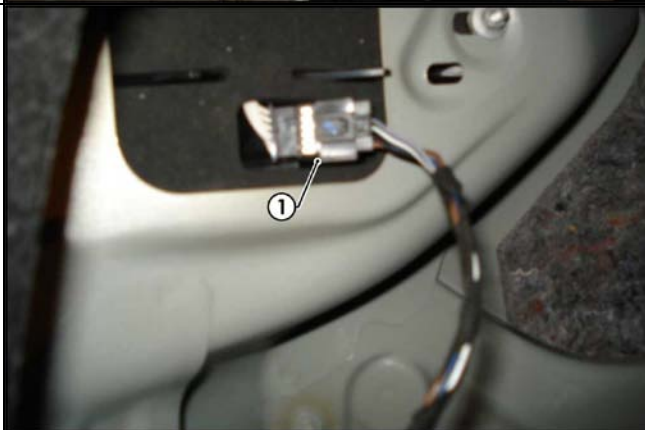
7. Remove RHS access panel covers (1).
8. Remove the RHS side trim (2) by first removing any fasteners.



9. From outside the vehicle, remove the RHS rear grommet (1).
10. Drill out the grommet hole to Ø31mm.
11. File any rough or sharp edges and spray on rust inhibitor.



12. Inside the luggage compartment, disconnect the LHS tail light connector (1).
13. Patch in the trailer harness (P/No: 100179-WL) mating connectors.



Issue Date 22-09-10

Page 3

Part No: 100179-WL

Hayman Reese (Cequent)  
PO Box 4050, Dandenong South VIC 3164  
Phone 1800 812 017 Email [info@haymanreese.com.au](mailto:info@haymanreese.com.au)

[www.haymanreese.com.au](http://www.haymanreese.com.au)





**HAYMAN REESE**  
**PART No: 100179-WL**  
**MERCEDES E-CLASS**

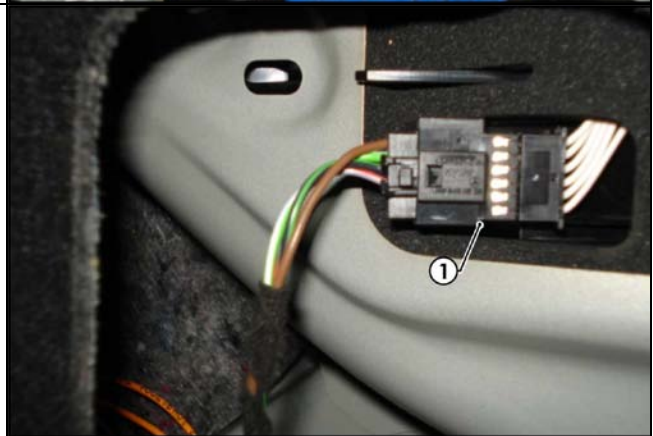
## INSTALLATION INSTRUCTIONS

**PLEASE ENSURE THAT INSTRUCTIONS ARE UNDERSTOOD PRIOR TO FITMENT**

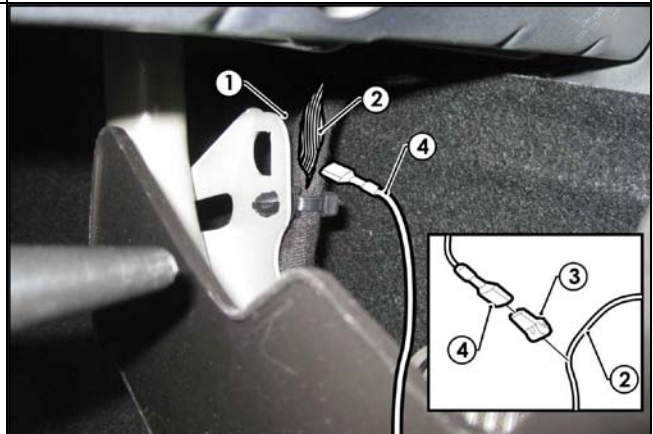
14. Route the trailer harness (1) from the LHS, along the rear of the vehicle and towards the RHS.



15. Disconnect the RHS tail light connector (1).  
 16. Patch in the trailer harness mating connectors.



17. Locate the wiring loom (1) behind the RHS boot hinge.  
 18. Cut open the wiring loom (1) and locate the vehicle 'GREY/BLUE' reverse wire (2).  
 19. Following the table below, connect the ezy tap (3) to the harness wire (2) and then connect the trailer harness terminal (4) to the corresponding wire (2).



Function	Trailer Patch	Vehicle Connector
REVERSE	BLACK / WHITE	GREY / BLUE

Issue Date 22-09-10

Page 4

Part No: 100179-WL

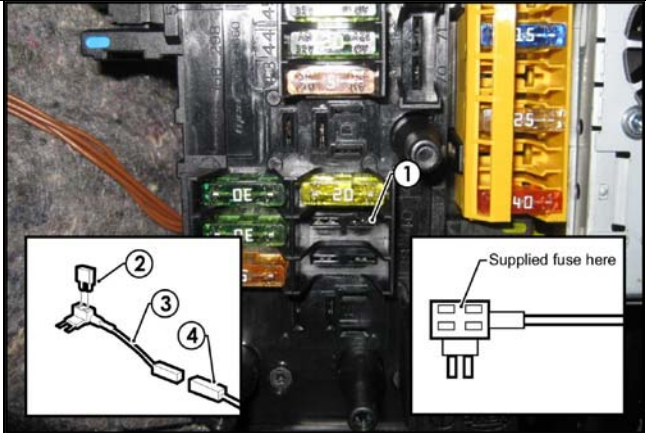
Hayman Reese (Cequent)  
 PO Box 4050, Dandenong South VIC 3164  
 Phone 1800 812 017 Email [info@haymanreese.com.au](mailto:info@haymanreese.com.au)

**HAYMAN REESE**  
**PART No: 100179-WL**  
**MERCEDES E-CLASS**

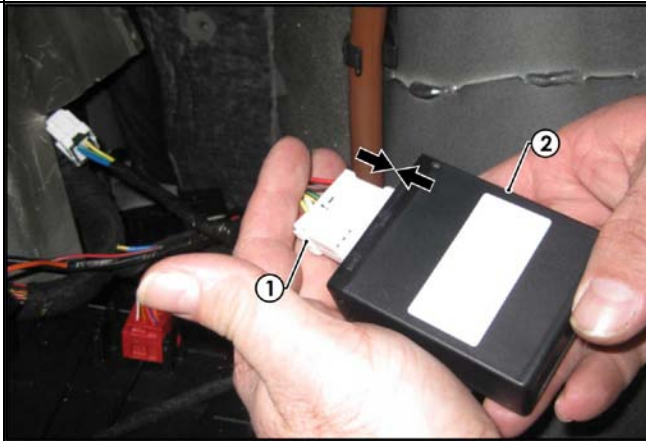
**INSTALLATION INSTRUCTIONS**

**PLEASE ENSURE THAT INSTRUCTIONS ARE UNDERSTOOD PRIOR TO FITMENT**

20. Locate the vacant slot (1) in the vehicle fuse panel, just below the vehicle 20-amp fuse.
21. Insert the supplied 30-amp (2) fuse into the upper slot of the add-a-fuse harness (3).
22. Connect the add-a-fuse harness (3) into the vacant slot (1) on the fuse panel.
23. Connect the trailer harness 1-way connector (4) to the add-a-fuse harness (3) mating connector.



24. Connect the trailer harness 12-way connector (1) into the ECU (2).



25. Using double sided tape, adhere the ECU to the vehicle sheet metal area (1) as shown.



Issue Date 22-09-10

Page 5

Part No: 100179-WL

Hayman Reese (Cequent)  
PO Box 4050, Dandenong South VIC 3164  
Phone 1800 812 017 Email [info@haymanreese.com.au](mailto:info@haymanreese.com.au)

[www.haymanreese.com.au](http://www.haymanreese.com.au)

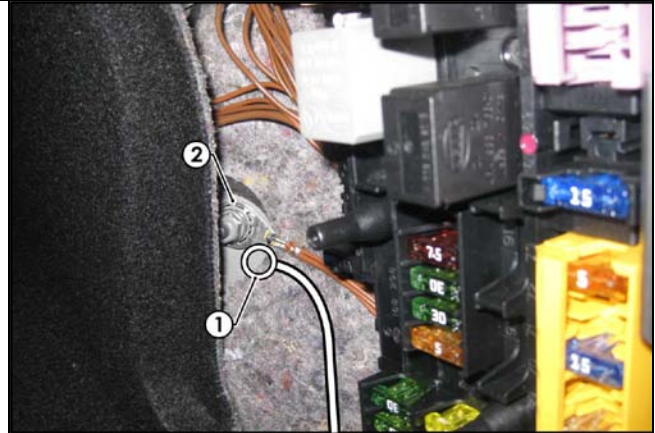


**HAYMAN REESE**  
**PART No: 100179-WL**  
**MERCEDES E-CLASS**

**INSTALLATION INSTRUCTIONS**

**PLEASE ENSURE THAT INSTRUCTIONS ARE UNDERSTOOD PRIOR TO FITMENT**

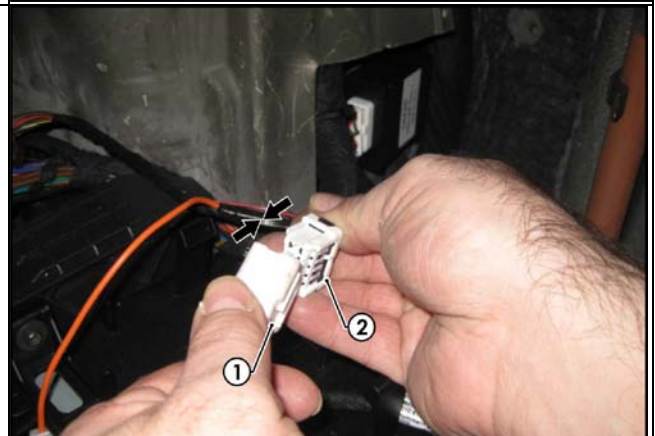
26. Connect the trailer harness ground ring terminal (1) to the vehicle grounding point (2).



27. Mount the trailer socket (1) to the towbar mounting bracket using M4 fasteners (not supplied).  
28. Route the tail harness (tail length 1200mm) (2) into the luggage compartment, through the previously drilled out grommet hole.  
29. Ensure the tail harness grommet is seated correctly and secure in place using a cable tie (not supplied).



30. Connect the tail harness (tail length 1200mm) 8-way connector (1) to the trailer harness mating 8-way connector (2).



Issue Date 22-09-10

Page 6

Part No: 100179-WL

Hayman Reese (Cequent)  
PO Box 4050, Dandenong South VIC 3164  
Phone 1800 812 017 Email [info@haymanreese.com.au](mailto:info@haymanreese.com.au)

[www.haymanreese.com.au](http://www.haymanreese.com.au)



**HAYMAN REESE**  
**PART No: 100179-WL**  
**MERCEDES E-CLASS**

**INSTALLATION INSTRUCTIONS**

**PLEASE ENSURE THAT INSTRUCTIONS ARE UNDERSTOOD PRIOR TO FITMENT**

<p>31. Test the trailer harness function using a light board or multimeter.</p> <p>32. Secure all harnesses using cables ties (not supplied).</p> <p>33. Re-fit all removed parts and secure all fasteners, ensuring there are no squeaks or rattles.</p> <p>34. Place instructions in glove box after fitment.</p>	
---	--

Issue Date 22-09-10

Page 7

Part No: 100179-WL

Hayman Reese (Cequent)  
PO Box 4050, Dandenong South VIC 3164  
Phone 1800 812 017 Email [info@haymanreese.com.au](mailto:info@haymanreese.com.au)

[www.haymanreese.com.au](http://www.haymanreese.com.au)

