

HAYMAN REESE
PART No: 02980RW
AUDI Q5 02/2012 ON

INSTALLATION INSTRUCTIONS

PLEASE ENSURE THAT ALL INSTRUCTIONS ARE UNDERSTOOD PRIOR TO FITMENT
PLACE THESE INSTRUCTIONS IN THE VEHICLE'S GLOVEBOX AFTER INSTALLATION IS COMPLETED



Installation Time: Approx **120** Mins

Towbar Installation Instructions

Towbar capacity

AUDI Q5 02/2012 ON

Part Number 02980RW

Max Towing Braked

2000 kg

Max Static Ball Load

200 kg

Hayman Reese (Cequent)
PO Box 4050, Dandenong South VIC 3164
Phone 1800 812 017 Email info@haymanreese.com.au

HAYMAN REESE

PART No: 02980RW

AUDI Q5 02/2012 ON

INSTALLATION INSTRUCTIONS

PLEASE ENSURE THAT ALL INSTRUCTIONS ARE UNDERSTOOD PRIOR TO FITMENT
PLACE THESE INSTRUCTIONS IN THE VEHICLES'S GLOVEBOX AFTER INSTALLATION IS COMPLETED

Warning:

1. Do not, drill, cut, weld or otherwise modify the towbar.
2. If you are using electric welding on a motor vehicle, **always** check that the vehicle is not equipped with electronic engine or instrument management equipment. Failure to do so could **destroy** any onboard computers. If in doubt, check with the vehicle's manufacturer.

General:

1. Ensure all hardware items have been included refer to assembly diagram.
2. It is recommended that the instructions are read through and completely understood before making any attempt to fit this product.
3. Be wary of any changes to vehicle designs or other accessories that may conflict with the installation of this product.
4. Before drilling ensure that the area is clear of fuel, electrical & other components.
5. All holes drilled into the body panels shall have all burrs & swarf removed then coated with a suitable rust preventative paint.
6. The high tensile fasteners supplied with this product were used to achieve the specified rating. If replacement is required ensure that fasteners of the same rating & quality are used. Contact an authorised **Hayman Reese** dealer if further information is required.
7. Ensure that all hardware is fastened to torque list below check fasteners on regular basis.
8. Towbar load rating sticker provided with this product shall be conspicuously located on inside rear end of the driver's door. **(See diagram below).**
9. Hayman Reese recommends that you check your tow ball to ensure that it complies with the Australian standards **AS 4177.2**.
10. **PLEASE NOTE:** It is advised to remove your lug or tbn when not actually towing so as to produce a clear view of the vehicles registration plate if obscured, and to also provide maximum available departure angle.
11. Pull Pin must be fit in down position.

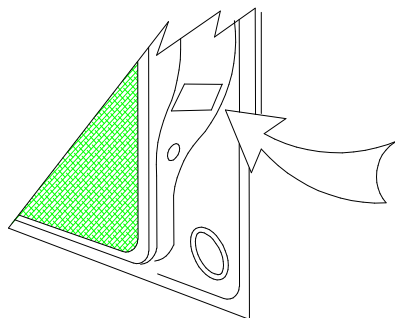
Tow bar Maintenance and Care.

Hayman Reese recommends that bolt torque's, as listed below, are routinely and regularly inspected and checked for correct tension. Replace any worn or defective parts.

We recommended to remove Tow Ball Mounts (TBM's, tongues or lugs) when not being used for any considerable length of time.

So as to avoid injury, when not towing it is suggested that the tongue, Pull Pin and R-clip are removed then stored in a safe, clean and dry place, away from excessive moisture.

Hitch Pull Pins and spring "R" clips are regularly checked for proper installation. Replace any worn or defective parts.



Place load rating sticker
inside driver's door here

RECOMMENDED ASSEMBLY TORQUE LISTING

Diameter Grade 8.8 Bolt

M6	9.5 Nm
M8	21.7 Nm
M10	43.4 Nm
M12	77.3 Nm
M14	146 Nm
M16	189.8 Nm

FOR TOWING PURPOSES ONLY

For towing capacity details please refer to vehicle owner's manual or to the manufacturer. Overloading can void your warranties.

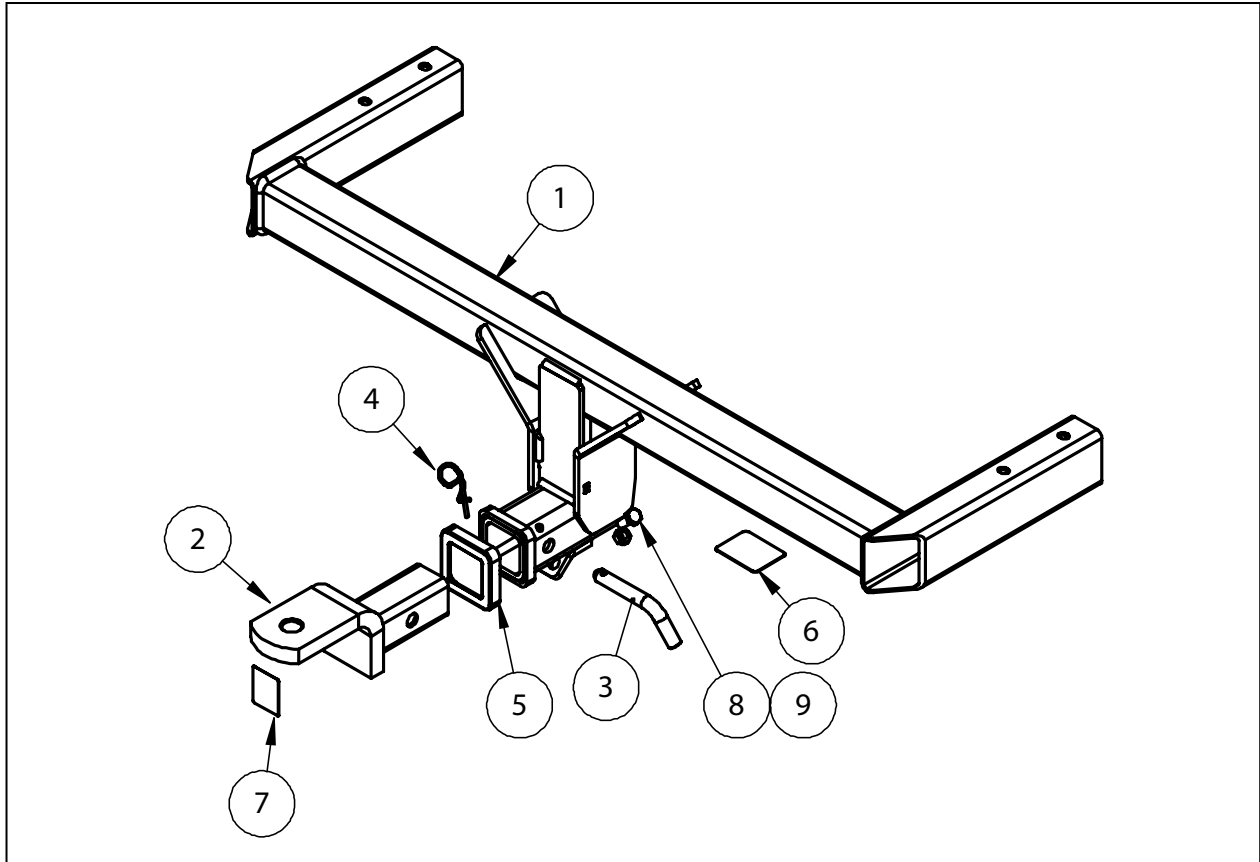
HAYMAN REESE

PART No: 02980RW

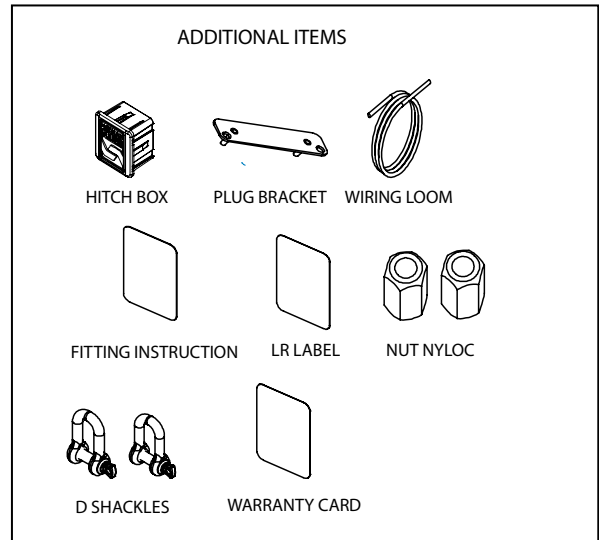
AUDI Q5 02/2012 ON

INSTALLATION INSTRUCTIONS

PLEASE ENSURE THAT ALL INSTRUCTIONS ARE UNDERSTOOD PRIOR TO FITMENT
PLACE THESE INSTRUCTIONS IN THE VEHICLE'S GLOVEBOX AFTER INSTALLATION IS COMPLETED



QTY	DESCRIPTION	ITEM NO
1	WELDED ASSY	1
1	TBM	2
1	PULL PIN	3
1	RCLIP	4
1	HITCH BOX COLLAR COVER	5
1	CP LABEL	6
1	HR STICKER	7
1	M10 BOLT	8
1	M10 HEX NUT	9



HAYMAN REESE

PART No: 02980RW

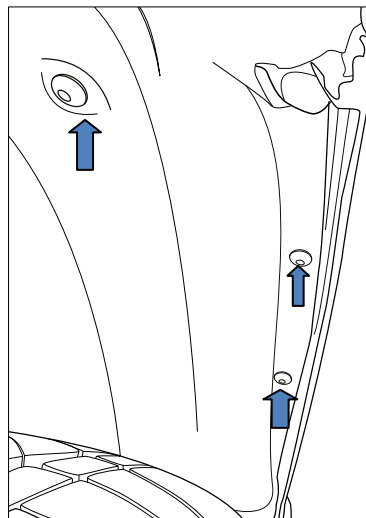
AUDI Q5 02/2012 ON

INSTALLATION INSTRUCTIONS

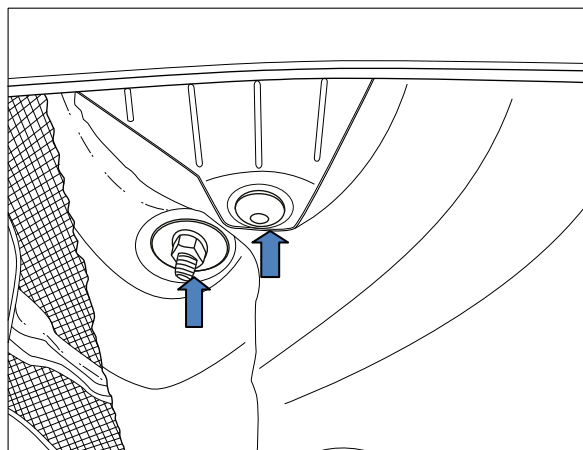
PLEASE ENSURE THAT ALL INSTRUCTIONS ARE UNDERSTOOD PRIOR TO FITMENT

PLACE THESE INSTRUCTIONS IN THE VEHICLES'S GLOVEBOX AFTER INSTALLATION IS COMPLETED

1. Remove 3x Torx Screws under Wheel Arch on both sides.

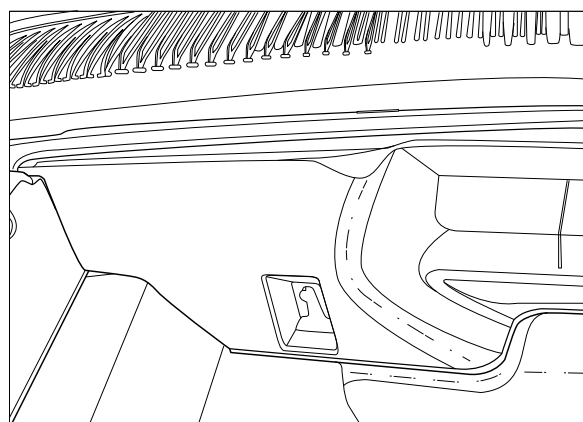


2. Remove 2x Screws under Rear Bumper.



3. Remove Rear Step Panel via lift vertical up, disconnect wiring near latching cover.

Remove 2x Nuts holding the Bumper from inside Rear Panel.



HAYMAN REESE

PART No: 02980RW

AUDI Q5 02/2012 ON

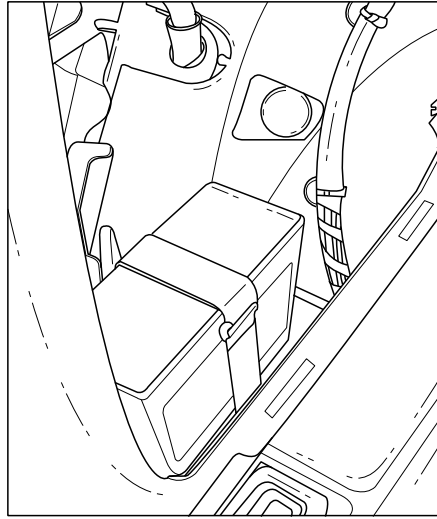
INSTALLATION INSTRUCTIONS

PLEASE ENSURE THAT ALL INSTRUCTIONS ARE UNDERSTOOD PRIOR TO FITMENT

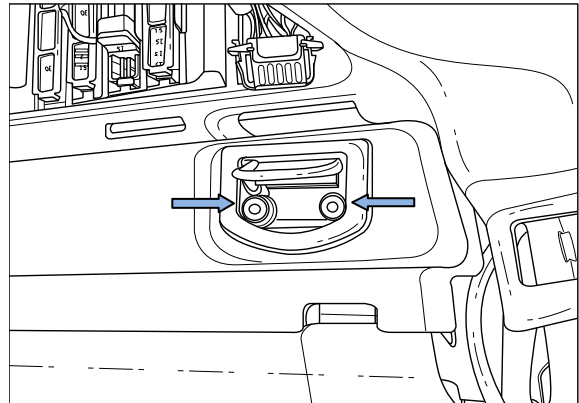
PLACE THESE INSTRUCTIONS IN THE VEHICLES'S GLOVEBOX AFTER INSTALLATION IS COMPLETED

4. Remove Side Cover on both sides to remove 2x Nuts holding the Bumper. Remove compressor and tray to gain access to the nut.

Release the Bumper skin via flexing the Bumper outward. Disconnect any wiring before completely removing the Bumper Skin.

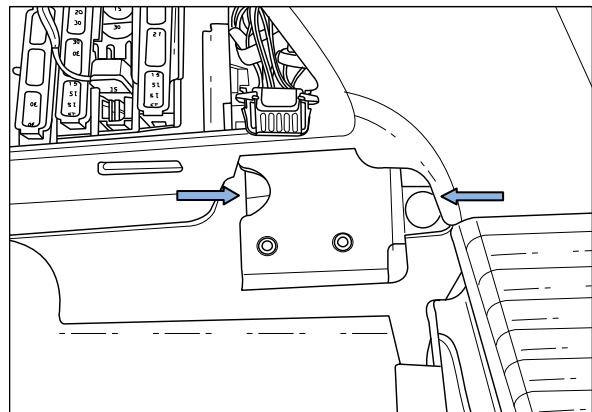


5. Remove 4x Hook Brackets with Torx Key; remove 2 Side Panels to gain access to the Mounting Bracket.



6. Remove 2x Bolts which holding the Hook Bracket on both sides. Retain Bolts for reuse.

Remove Impact Beam and discard.



HAYMAN REESE

PART No: 02980RW

AUDI Q5 02/2012 ON

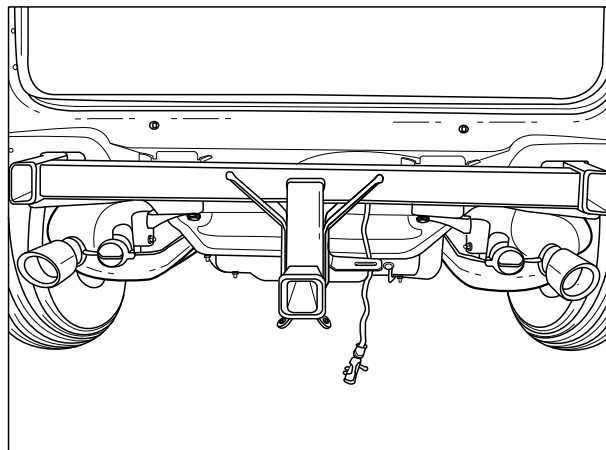
INSTALLATION INSTRUCTIONS

PLEASE ENSURE THAT ALL INSTRUCTIONS ARE UNDERSTOOD PRIOR TO FITMENT

PLACE THESE INSTRUCTIONS IN THE VEHICLES'S GLOVEBOX AFTER INSTALLATION IS COMPLETED

7. Insert Towbar in place of Impact Beam. Reinstall Hook Bracket as Section 6. Torque bolts to specifications listed on Page 2.

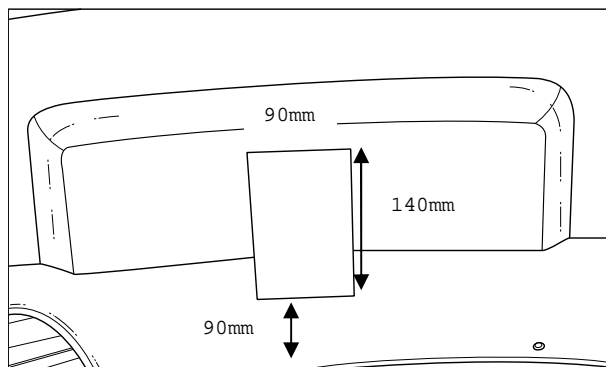
Remove Lower Cover off the Bumper Skin and reinstall the Bumper Skin to the vehicle.



8. Cut Lower Cover 90x140 mm, find centreline and mark 45mm from each sides. Cut 90mm section with 90mm gap from the lower end of the Bumper (Rear).

Install Lower Cover back to the Bumper Skin.

NOTE: For Models without Bumper pop out, Bumper cut should be made from the scribed or lined section on the inside of the Bumper.



HAYMAN REESE
AUDI Q5
PART No: 100629-WL

INSTALLATION INSTRUCTIONS

PLEASE ENSURE THAT INSTRUCTIONS ARE UNDERSTOOD PRIOR TO FITMENT.

Wiring Loom Installation Instructions

AUDI Q5
Part No: 100629-WL

Tail Harness Length Required: 1200mm

Diesel models up to MY11 – ECU Required Part No: 04828
All other models - ECU Required Part No: 04826

RPA can be disabled via the dashboard switch.

Wiring Loom Installation Time: Approx 45. Mins

NOTE: THE TRAILER LIGHTS DO NOT WORK WHEN THE TAIL GATE IS OPEN.

Issue Date 10-05-13

Page 1

Part No: 100629-WL

Hayman Reese (Cequent)
PO Box 4050, Dandenong South VIC 3164
Phone 1800 812 017 Email info@haymanreese.com.au

www.haymanreese.com.au

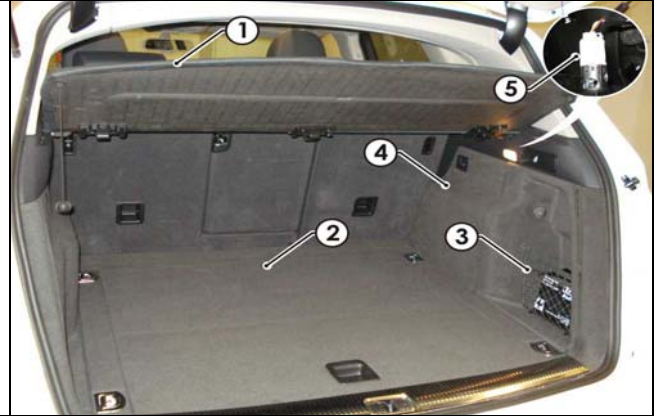


HAYMAN REESE
AUDI Q5
PART No: 100629-WL

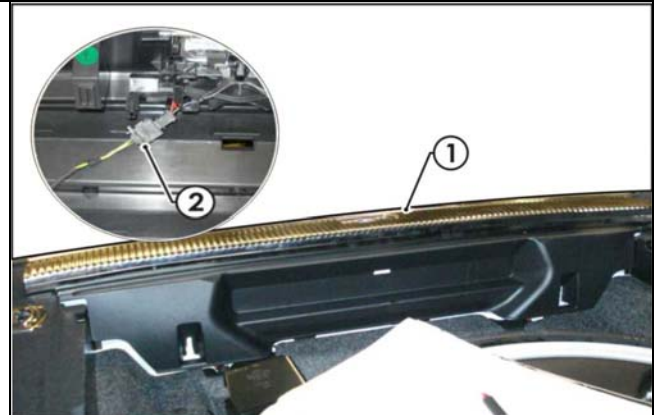
INSTALLATION INSTRUCTIONS

PLEASE ENSURE THAT INSTRUCTIONS ARE UNDERSTOOD PRIOR TO FITMENT.

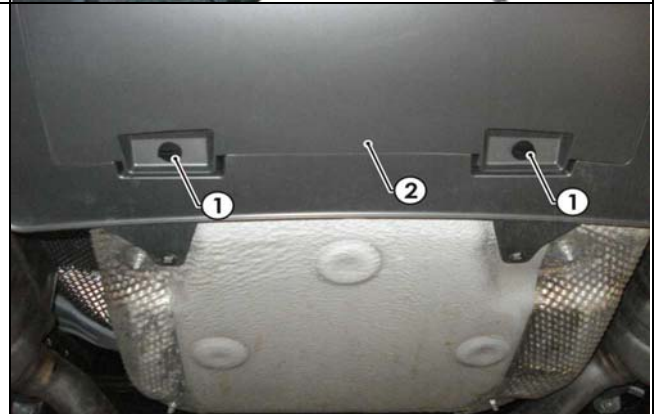
1. In the luggage compartment, remove the following items from the vehicle: rear sun shade (1), floor carpet (2) and RHS storage net (3).
2. Dislodge the RHS trim (4), disconnect the trim light connector (5) and then remove the RHS trim (4).



3. Dislodge the rear trim (1) and then disconnect the trim connector (2).



4. Underneath the rear bumper, remove the two trim fasteners (1) and then remove the trim (2).



Issue Date 10-05-13

Page 2

Part No: 100629-WL

Hayman Reese (Cequent)
PO Box 4050, Dandenong South VIC 3164
Phone 1800 812 017 Email info@haymanreese.com.au

www.haymanreese.com.au

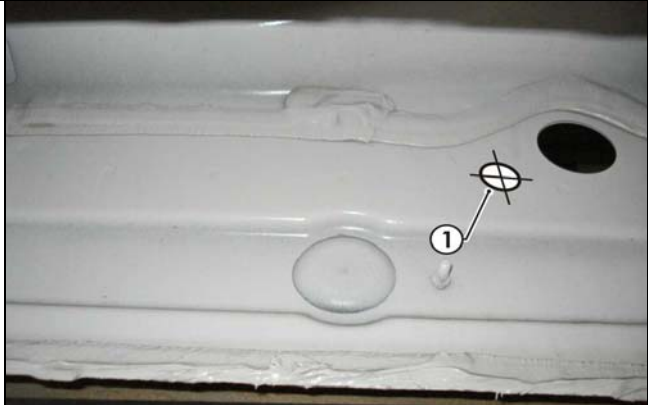


HAYMAN REESE
AUDI Q5
PART No: 100629-WL

INSTALLATION INSTRUCTIONS

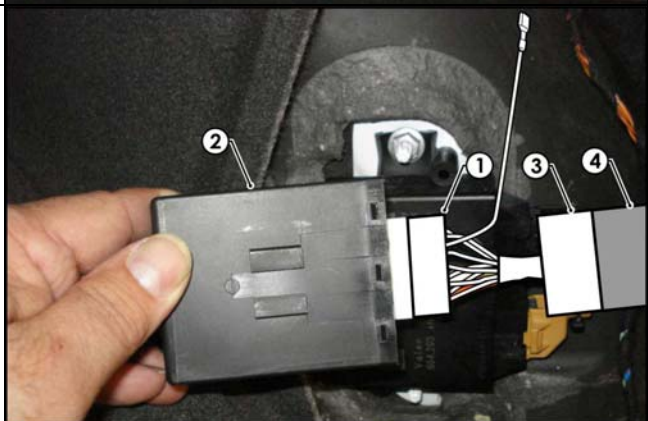
PLEASE ENSURE THAT INSTRUCTIONS ARE UNDERSTOOD PRIOR TO FITMENT.

5. Drill a Ø30mm hole (1) into the vehicle sheet metal as shown.
6. File any rough or sharp edges and spray on rust inhibitor.



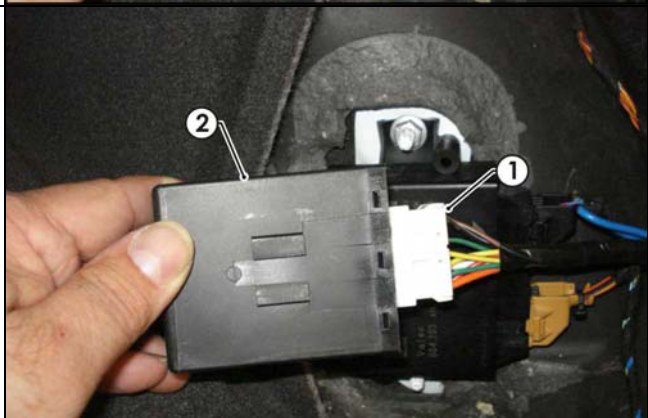
The following step is for all models except Diesel models MY09 TO MY11.

7. Connect the extension patch 12-way female connector (1) to the ECU (04826) (2).
8. Connect the extension patch 12-way male connector (3) to the trailer wiring harness 12-way female connector (4).



The following steps are for Diesel models MY09 to MY11.

9. Connect the 12-way female connector (1) to the ECU (04828) (2).



Issue Date 10-05-13

Page 3

Part No: 100629-WL

Hayman Reese (Cequent)
PO Box 4050, Dandenong South VIC 3164
Phone 1800 812 017 Email info@haymanreese.com.au

www.haymanreese.com.au



HAYMAN REESE

AUDI Q5

PART No: 100629-WL

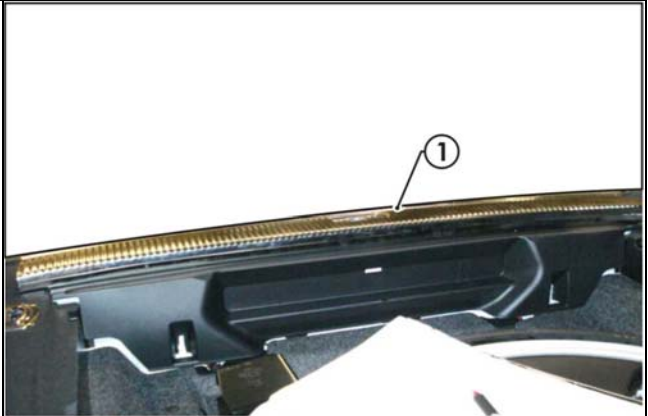
INSTALLATION INSTRUCTIONS

PLEASE ENSURE THAT INSTRUCTIONS ARE UNDERSTOOD PRIOR TO FITMENT.

10. On the rear of the luggage compartment, reconnect the rear trim panel (1) connector and reattach the trim.

Note: Ensure to reconnect the rear trim panel before continuing with any of the wiring fitment, as this will ensure the micro switch will trigger the light output on the tailgate.

Note: Ensure the microswitch & tailgate latch are engaged to enable tailgate light functionality.



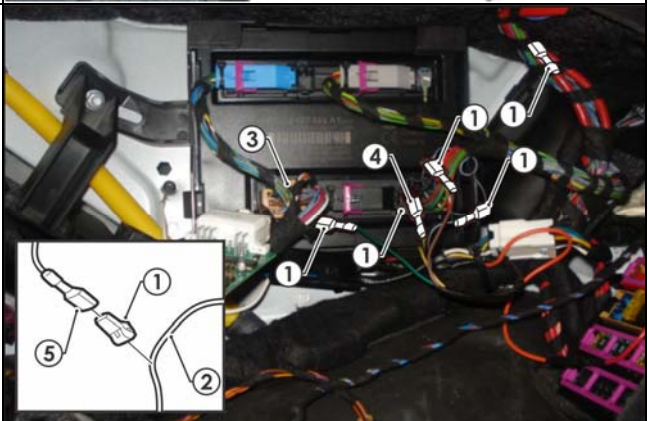
11. Route the trailer wiring harness terminals (1) towards the RHS rear quarter black connector box.

The following step is for MY09 to MY11 Diesel models only.

12. Following the table below, connect the supplied ezy taps (1) to the corresponding wires (2) to the BROWN (3) and BLACK connectors (4).

13. Connect the trailer wiring harness terminals (5) to the corresponding ezy taps (1).

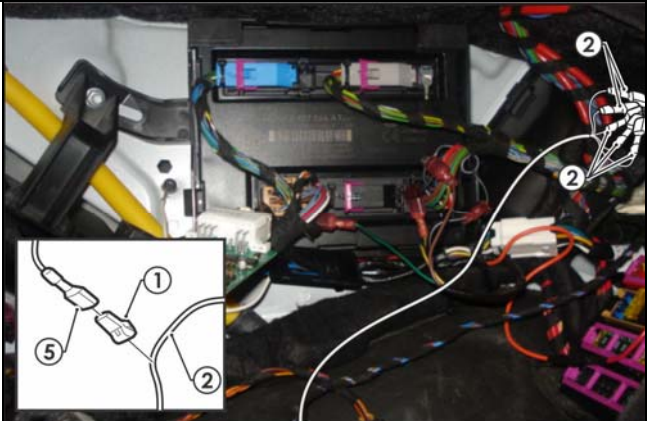
Function	Trailer Patch	Vehicle Connector	Connector
R.IND	GREEN / BLACK	BLACK / GREEN	BROWN
L.IND	YELLOW / BLACK	BLACK / BLUE	BLACK
BRAKES / TAIL	BROWN / BLACK	BLACK / BLUE	BLACK
REVERSE	BLACK / WHITE	GREY (4th Wire)	BLACK



The following step is for all other MY09 to MY12 models only.

14. Following the table below, connect the supplied ezy taps (1) to the corresponding wires (2) to the RHS tail light assembly area.

Function	Trailer Patch	Vehicle Connector	Connector
R.IND	GREEN / BLACK	BLACK / GREEN	BROWN
L.IND	YELLOW / BLACK	BLACK / BLUE	BLACK
BRAKES	BROWN / BLACK	BLACK / BLUE	BLACK
REVERSE	BLACK / WHITE	GREY (4th Wire)	BLACK
TAIL	BROWN / BLACK (Patch)	YELLOW	-



HAYMAN REESE

AUDI Q5

PART No: 100629-WL

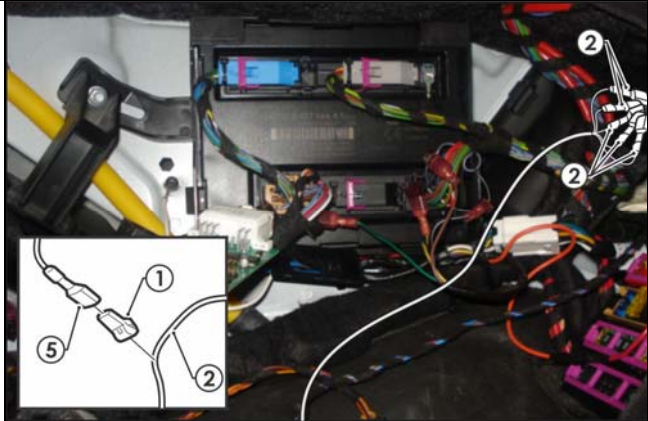
INSTALLATION INSTRUCTIONS

PLEASE ENSURE THAT INSTRUCTIONS ARE UNDERSTOOD PRIOR TO FITMENT.

The following step is for MY12 – Onwards models only.

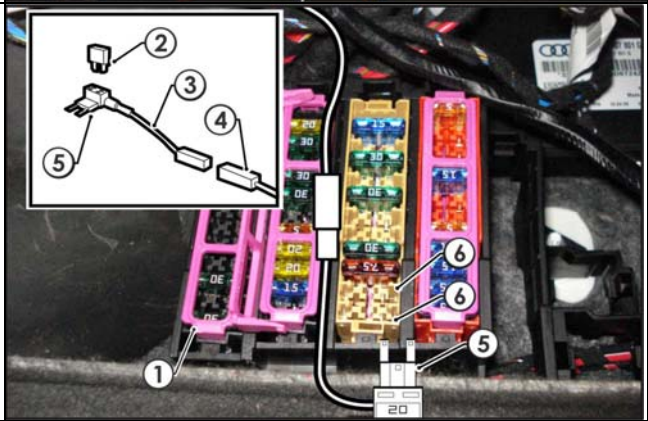
15. Following the table below, connect the supplied ezy taps (1) to the corresponding wires (2) to the RHS tail light assembly area.

Function	Trailer Patch	Vehicle Connector	Connector
R.IND	GREEN / BLACK	GREY (5TH)	BLACK
L.IND	YELLOW / BLACK	GREY / BLACK	BROWN
BRAKES	BROWN / BLACK	BLACK / GREEN	BROWN
REVERSE	BLACK / WHITE	GREY (7th Wire)	BLACK
TAIL	BROWN / BLACK (Patch)	GREY / BLUE	BROWN

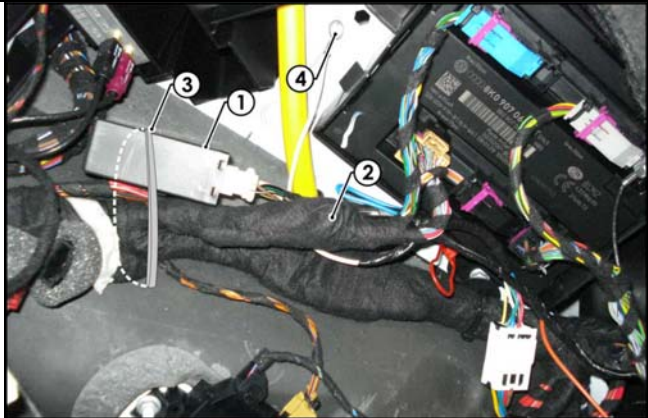


16. Remove the fuse panel row 'C' plastic casing (1).
17. Slot the supplied 20 amp fuse (2) into the upper slot of the add-a-fuse harness (3).
18. Connect the add-a-fuse harness to the mating trailer wiring harness connector (4).
19. Insert the add-a-fuse harness fuse connector (5) into either of the empty slots (6) on row 'C'.

Note: The two empty slots sit next to the 7.5 amp fuse.



20. Secure the ECU (1) to the existing vehicle harness (2) using a cable tie (3) (not supplied).
21. Secure the trailer wiring harness ground ring (4) to a suitable location on the sheet metal using a tek screw (not supplied).



HAYMAN REESE
AUDI Q5
PART No: 100629-WL

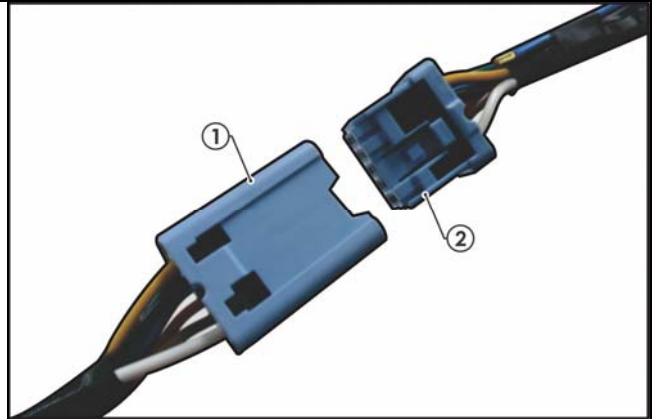
INSTALLATION INSTRUCTIONS

PLEASE ENSURE THAT INSTRUCTIONS ARE UNDERSTOOD PRIOR TO FITMENT.

22. From the outside of the vehicle, mount the trailer socket (1) to the towbar mounting bracket using M4 fasteners (not supplied).
23. Route the tail harness across the towbar towards the LHS of the vehicle and up through the previously drilled out hole (2).
24. Ensure the tail harness grommet is seated correctly and secure in place using a cable tie (not supplied).



25. Connect the tail harness 8-way connector (1) to the trailer wiring harness mating 8-way connector (2).



26. Test the trailer wiring harness function using a light board or multimeter.
27. Secure all harnesses using cable ties (not supplied).
28. Re-fit all removed parts and secure all fasteners, ensuring there are no squeaks or rattles.
29. Place the instructions in the glove box after fitment.

Issue Date 10-05-13

Page 6

Part No: 100629-WL

Hayman Reese (Cequent)
PO Box 4050, Dandenong South VIC 3164
Phone 1800 812 017 Email info@haymanreese.com.au

www.haymanreese.com.au

