

HAYMAN REESE
PART No: **02962RLW**
BMW 3 SERIES E90 2009 ON (NOT M SERIES)

INSTALLATION INSTRUCTIONS

PLEASE ENSURE THAT ALL INSTRUCTIONS ARE UNDERSTOOD PRIOR TO FITMENT
PLACE THESE INSTRUCTIONS IN THE VEHICLES'S GLOVEBOX AFTER INSTALLATION IS COMPLETE



Installation Time: Approx **45** Mins

Towbar Installation Instructions

Towbar capacity

BMW 3 SERIES E90 2009 ON (NOT M SERIES)

Part Number **02962RLW**

Max Towing Braked **1600 kg**

Max Static Ball Load **160 kg**

Hayman Reese (Cequent)
PO Box 4050, Dandenong South VIC 3164
Phone 1800 812 017 Email info@haymanreese.com.au

HAYMAN REESE
PART No: 02962RLW
BMW 3 SERIES E90 (NOT M SERIES)

INSTALLATION INSTRUCTIONS

PLEASE ENSURE THAT ALL INSTRUCTIONS ARE UNDERSTOOD PRIOR TO FITMENT
PLACE THESE INSTRUCTIONS IN THE VEHICLES'S GLOVEBOX AFTER INSTALLATION IS COMPLETE

Warning:

1. Do not, drill, cut, weld or otherwise modify the towbar.
2. If you are using electric welding on a motor vehicle, **always** check that the vehicle is not equipped with electronic engine or instrument management equipment. Failure to do so could **destroy** any onboard computers. If in doubt, check with the vehicle's manufacturer.

General:

1. Ensure all hardware items have been included refer to assembly diagram.
2. It is recommended that the instructions are read through and completely understood before making any attempt to fit this product.
3. Be wary of any changes to vehicle designs or other accessories that may conflict with the installation of this product.
4. Before drilling ensure that the area is clear of fuel, electrical & other components.
5. All holes drilled into the body panels shall have all burrs & swarf removed then coated with a suitable rust preventative paint.
6. The high tensile fasteners supplied with this product were used to achieve the specified rating. If replacement is required ensure that fasteners of the same rating & quality are used. Contact an authorised **Hayman Reese** dealer if further information is required.
7. Ensure that all hardware is fastened to torque list below check fasteners on regular basis.
8. Towbar load rating sticker provided with this product shall be conspicuously located on inside rear end of the driver's door. **(See diagram below).**
9. Hayman Reese recommends that you check your tow ball to ensure that it complies with the Australian standards **AS 4177.2**.
10. **PLEASE NOTE:** It is advised to remove your lug or tbn when not actually towing so as to produce a clear view of the vehicles registration plate if obscured, and to also provide maximum available departure angle.
 - a. Pull Pin must be fit in down position.

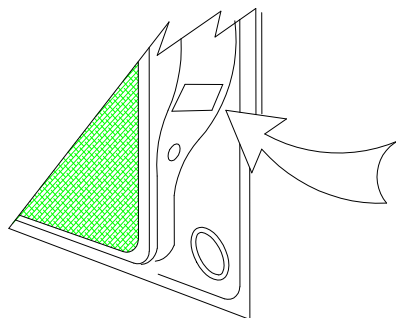
Tow bar Maintenance and Care.

Hayman Reese recommends that bolt torque's, as listed below, are routinely and regularly inspected and checked for correct tension. Replace any worn or defective parts.

We recommended to remove Tow Ball Mounts (TBM's, tongues or lugs) when not being used for any considerable length of time.

So as to avoid injury, when not towing it is suggested that the tongue, Pull Pin and R-clip are removed then stored in a safe, clean and dry place, away from excessive moisture.

Hitch Pull Pins and spring "R" clips are regularly checked for proper installation. Replace any worn or defective parts.



Place load rating sticker
inside driver's door here

**RECOMMENDED ASSEMBLY TORQUE
LISTING**

Diameter Grade 8.8 Bolt

M6	9.5 Nm
M8	21.7 Nm
M10	43.4 Nm
M12	77.3 Nm
M14	146 Nm
M16	189.8 Nm

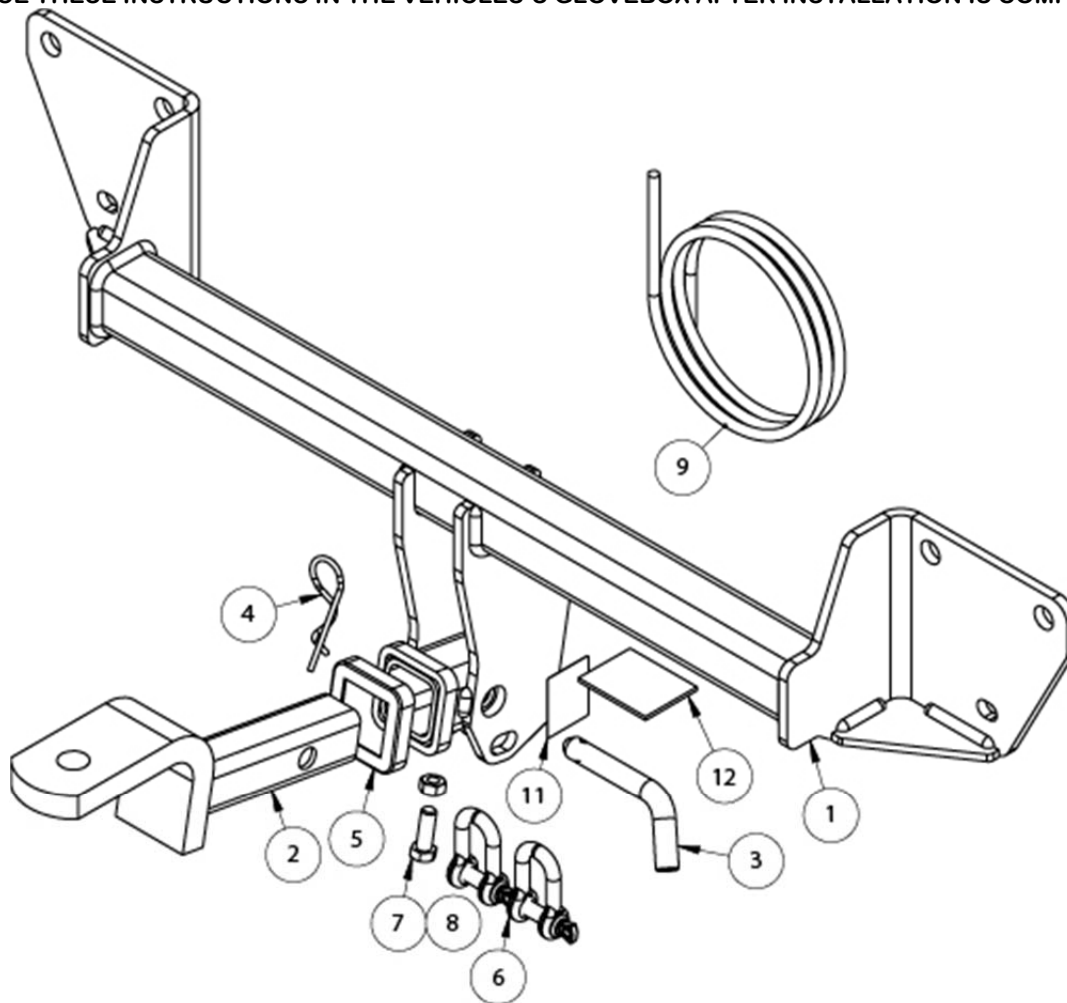
FOR TOWING PURPOSES ONLY

For towing capacity details please refer to vehicle
owner's manual or to the manufacturer. Overloading can
void your warranties.

HAYMAN REESE
PART No: 02962RLW
BMW 3 SERIES E90 (NOT M SERIES)

INSTALLATION INSTRUCTIONS

PLEASE ENSURE THAT ALL INSTRUCTIONS ARE UNDERSTOOD PRIOR TO FITMENT
 PLACE THESE INSTRUCTIONS IN THE VEHICLES'S GLOVEBOX AFTER INSTALLATION IS COMPLETE



NO.	DESCRIPTION	QTY
1	TOWBAR	1
2	LUG ASSEMBLY	1
3	PULL PIN	1
4	R CLIP	1
5	HITCH BOX COVER	1
6	D' SHACKLE	2
7	BOLT M10 X 30	1
8	NUT M10	1
9	WIRING LOOM	1
10	WARRENTY CARD	1
11	H.R STICKER	1
12	COMPLIANCE PLATE	1
13	LOAD RATING LABEL	1

HAYMAN REESE

PART No: 02962RLW

BMW 3 SERIES E90 (NOT M SERIES)

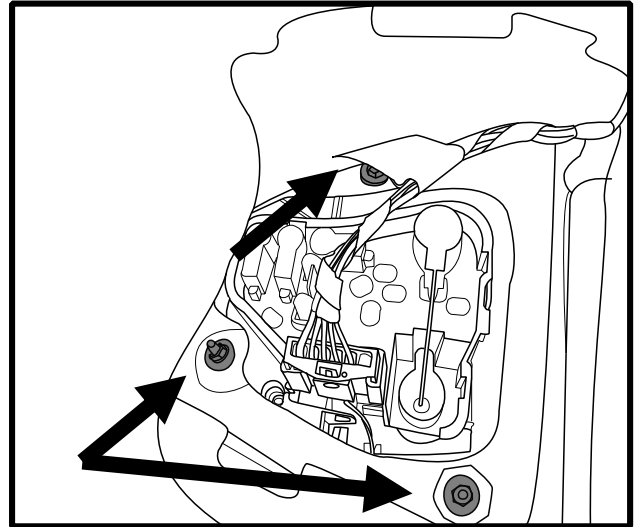
INSTALLATION INSTRUCTIONS

PLEASE ENSURE THAT ALL INSTRUCTIONS ARE UNDERSTOOD PRIOR TO FITMENT

PLACE THESE INSTRUCTIONS IN THE VEHICLES'S GLOVEBOX AFTER INSTALLATION IS COMPLETE

1. Remove rear trim from inside of boot to access RHS tail light assembly. Remove three nuts as shown and remove tail light, place in a safe place.

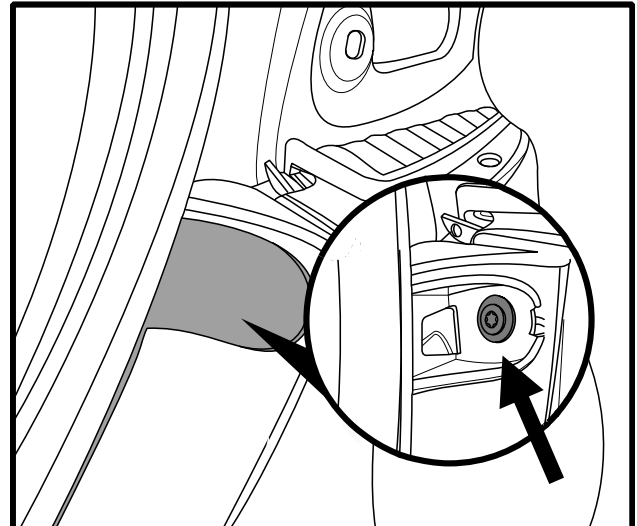
Repeat for LHS.



2. Remove plastic cover on bumper near RHS tail light to expose torx head screw.

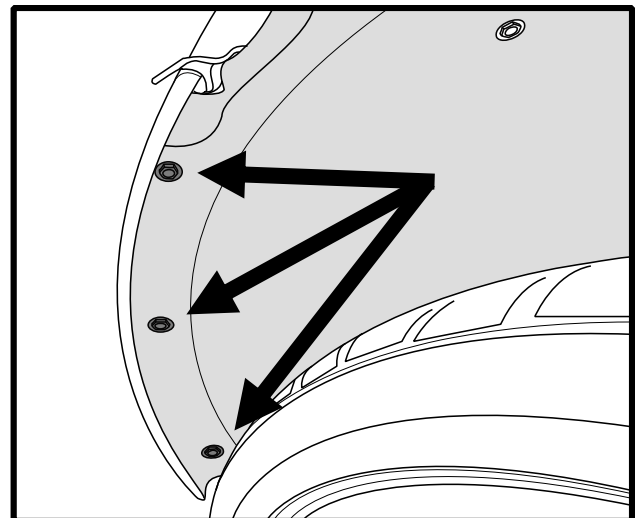
Remove screw.

Repeat for LHS.



3. Remove three screws from inside rear RHS wheel arch as shown.

Repeat for LHS.



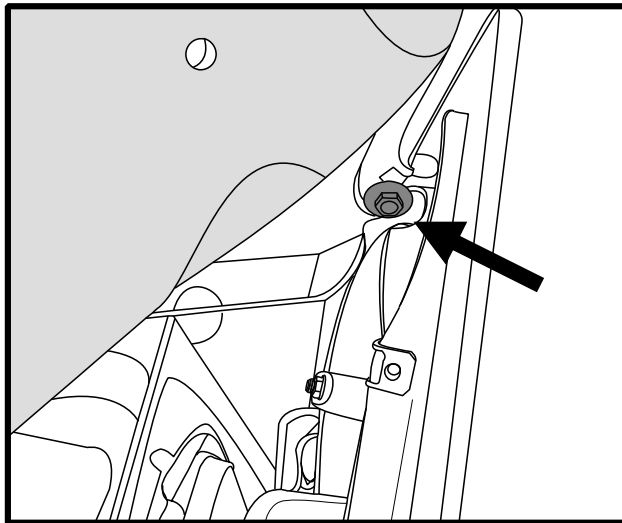
HAYMAN REESE
PART No: 02962RLW
BMW 3 SERIES E90 (NOT M SERIES)

INSTALLATION INSTRUCTIONS

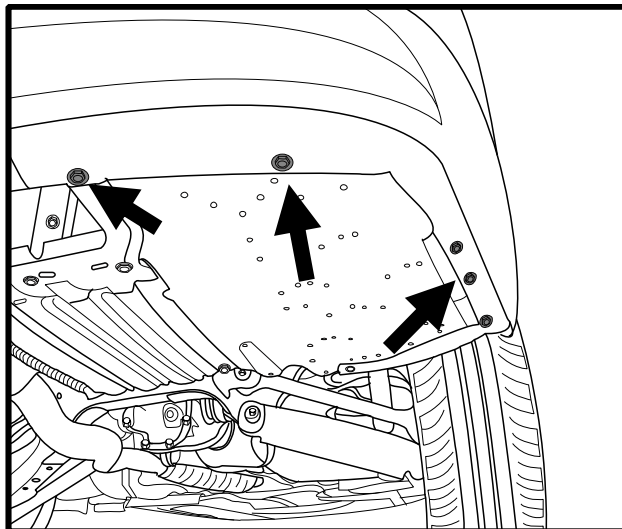
PLEASE ENSURE THAT ALL INSTRUCTIONS ARE UNDERSTOOD PRIOR TO FITMENT
PLACE THESE INSTRUCTIONS IN THE VEHICLE'S GLOVEBOX AFTER INSTALLATION IS COMPLETE

4. Inside of LHS wheel arch, pull cover to the side to expose a vertical screw.

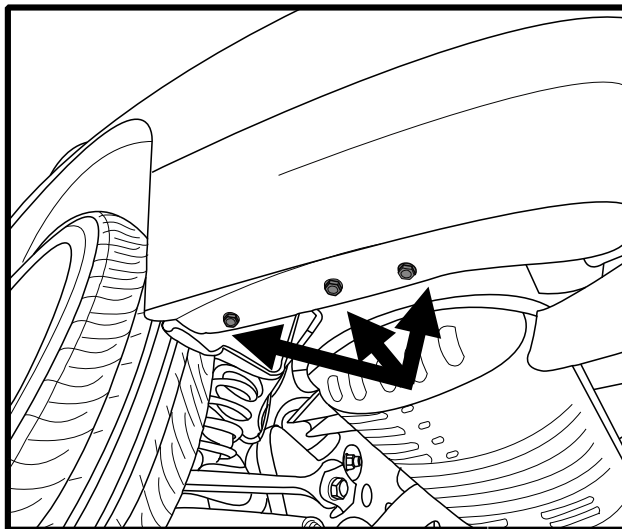
Remove and repeat for RHS.



5. Remove five screws from underneath of bumper on the RHS.



6. Remove three screws from underneath of the bumper on the LHS.



HAYMAN REESE

PART No: 02962RLW

BMW 3 SERIES E90 (NOT M SERIES)

INSTALLATION INSTRUCTIONS

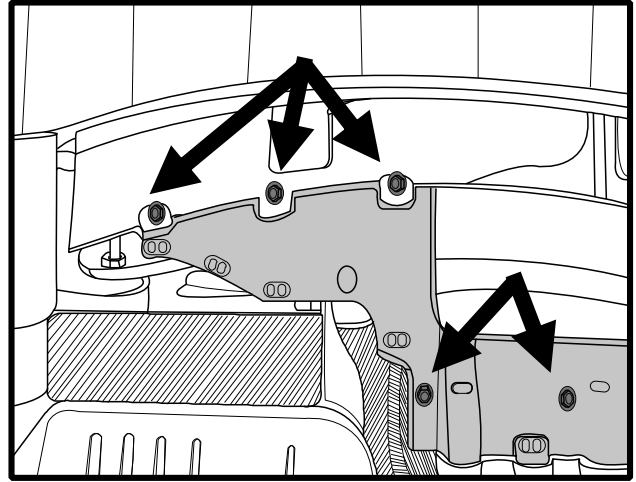
PLEASE ENSURE THAT ALL INSTRUCTIONS ARE UNDERSTOOD PRIOR TO FITMENT

PLACE THESE INSTRUCTIONS IN THE VEHICLES'S GLOVEBOX AFTER INSTALLATION IS COMPLETE

7. Remove three screws from underneath of bumper center.

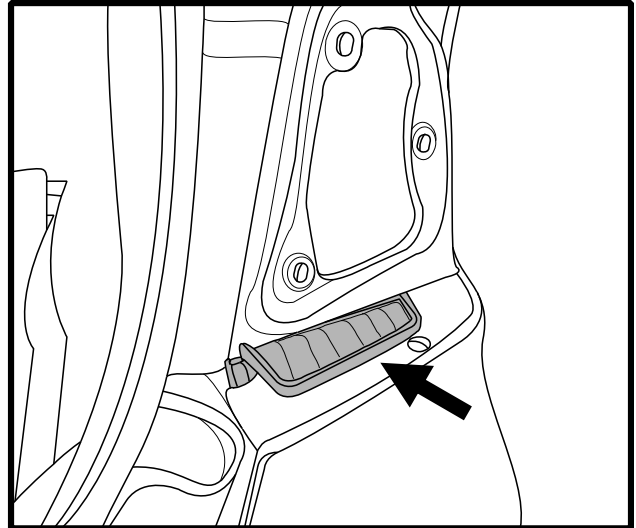
Remove three screws to dislodge the small plastic under-body panel as shown.

(Plastic cover to be trimmed at later step)



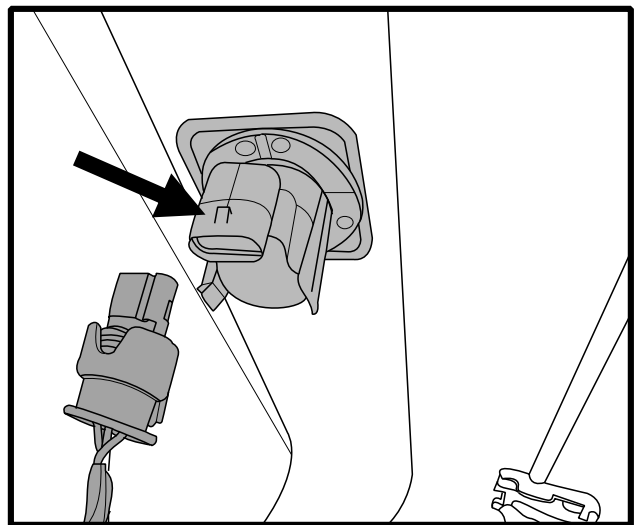
8. Carefully remove bumper by dislodging it from clips on rear quarter panel and underneath tail lights. Pull bumper towards the rear of the car.

To avoid breaking the bumper clips, do not pull away from the quarter panel and instead slide the fascia rearwards.



9. Once bumper is loose, disconnect any rear reverse sensors.

Place bumper in a safe place.



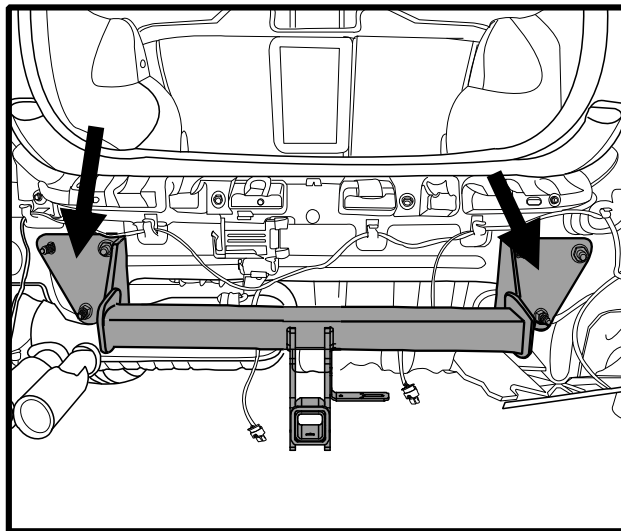
HAYMAN REESE
PART No: 02962RLW
BMW 3 SERIES E90 (NOT M SERIES)

INSTALLATION INSTRUCTIONS

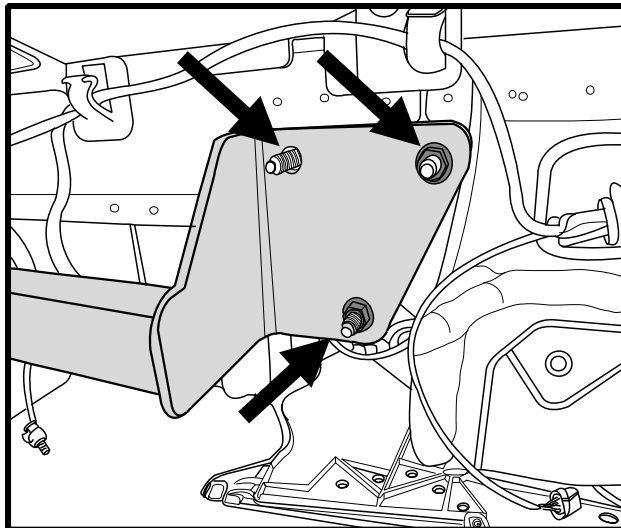
PLEASE ENSURE THAT ALL INSTRUCTIONS ARE UNDERSTOOD PRIOR TO FITMENT
PLACE THESE INSTRUCTIONS IN THE VEHICLE'S GLOVEBOX AFTER INSTALLATION IS COMPLETE

- 10.** Remove and retain six nuts from impact beam and offer towbar to M12 studs as shown.

Loosely fasten using M12 nuts from impact beam.



- 11.** Tighten fasteners to torque listed on page 2.



- 12.** Cut bumper as per template on page 8.

Cut plastic under body cover as per template on page 8.

Re-attach bumper using steps 1-9 in reverse order.

HAYMAN REESE

PART No: 02962RLW

BMW 3 SERIES E90 (NOT M SERIES)

INSTALLATION INSTRUCTIONS

PLEASE ENSURE THAT ALL INSTRUCTIONS ARE UNDERSTOOD PRIOR TO FITMENT

PLACE THESE INSTRUCTIONS IN THE VEHICLE'S GLOVEBOX AFTER INSTALLATION IS COMPLETE

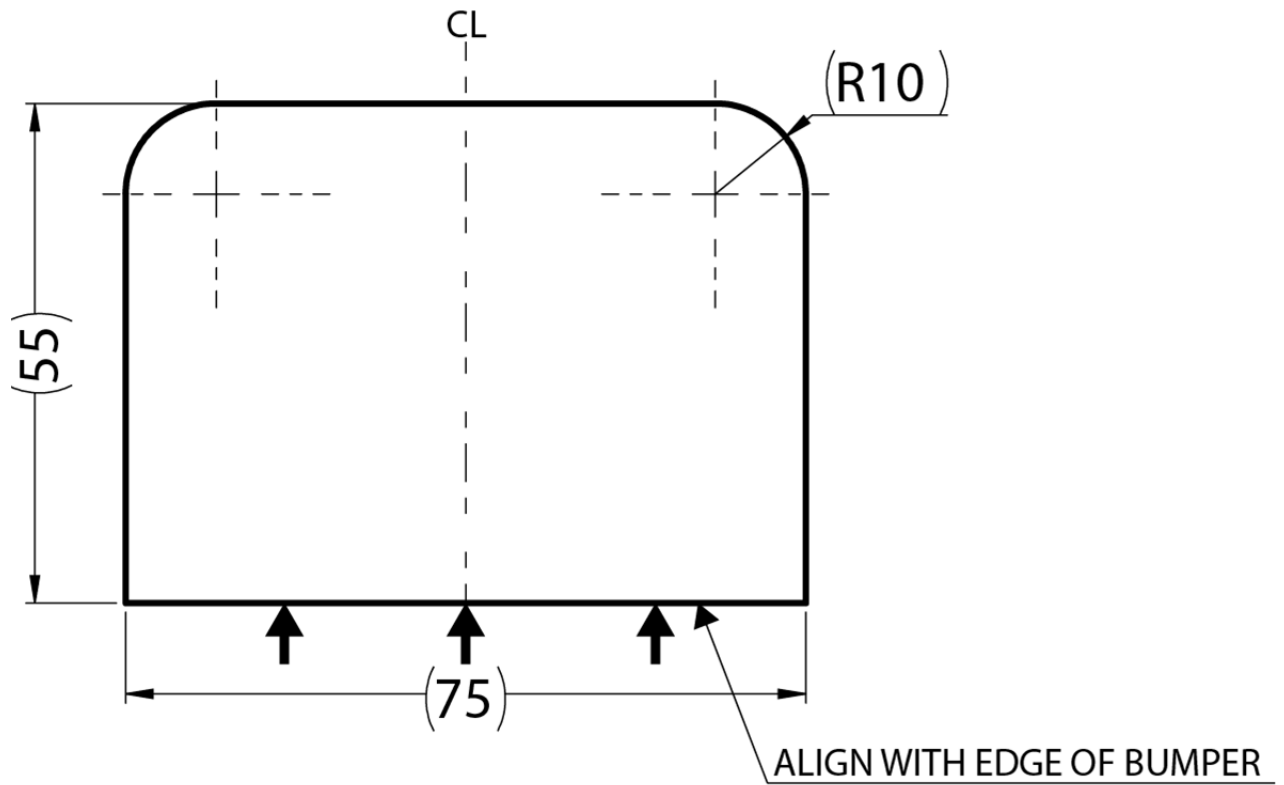


Fig 1 - Bumper Cut (NOT TO SCALE)

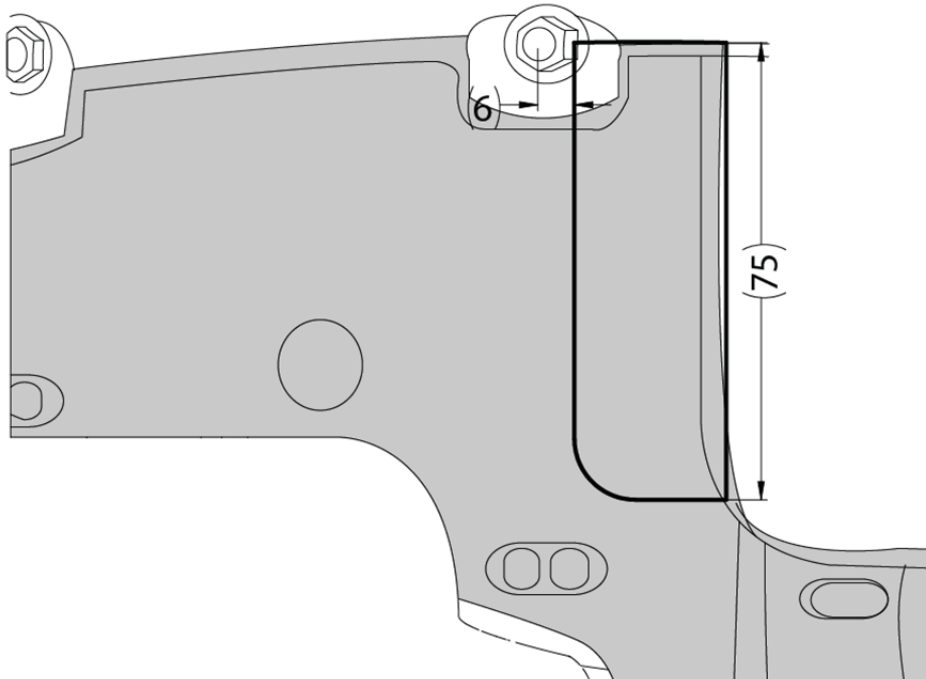


Fig 2 – Plastic Cover (Step 7) Cut (NOT TO SCALE)

HAYMAN REESE
PART No: 100854-WL
BMW X1, 3 Series, X5, X6

INSTALLATION INSTRUCTIONS

PLEASE ENSURE THAT INSTRUCTIONS ARE UNDERSTOOD PRIOR TO FITMENT

Wiring Loom Installation Instructions

BMW X1, 3 Series, X5, X6

Part No: 100854-WL

X1, X5, X6 Tail Harness Length Required: 1800mm

3 Series Tail Harness Length Required: 1200mm

ECU Required For X1 (with Brake and Tail on separate circuit), 3 Series (2015-Onwards) *, X5, X6: 04829

ECU Required for X1 (with Brake and Tail on same circuit), 3 Series (2009-2014) *: 04838

X1 - Pages 2 - 6

3 Series - Pages 7 - 11

X5 & X6 - Pages 12 - 16

Wiring Loom Installation Time: Approx. 50 minutes

Important



*Before starting on the BMW Series 3 models, determine the ECU that will be required. This can be done by checking the wire colours in the tail light. Refer to the Page 10, Step 11 for details.

Important



Due to possible vehicle variations, always confirm any noted vehicle colour wires with a multi-meter to ensure the correct function is identified before soldering or scotch locking.

Issue Date 19-12-19

Page 1

Part No: 100854-WL

Hayman Reese (Cequent)
PO Box 4050, Dandenong South VIC 3164
Phone 1800 812 017 Email info@haymanreese.com.au

www.haymanreese.com.au



HAYMAN REESE
PART No: 100854-WL
BMW X1, 3 Series, X5, X6

INSTALLATION INSTRUCTIONS

PLEASE ENSURE THAT INSTRUCTIONS ARE UNDERSTOOD PRIOR TO FITMENT

The following steps are for BMW X1 models only. For 3 Series models, please proceed to page 7. For X5 & X6, please proceed to page 12.

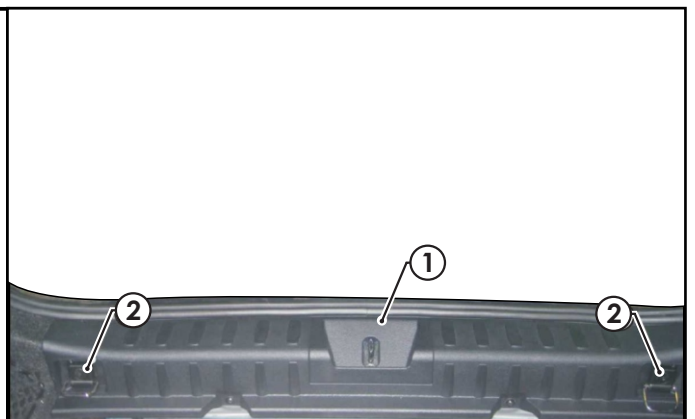
1. In the luggage compartment, remove the floor cover carpet (1).



2. Remove the storage compartment tray (1).



3. Remove the rear luggage compartment trim (1) by first removing the fasteners from the cargo hook tie-downs (2).



Issue Date 19-12-19

Page 2

Part No: 100854-WL

Hayman Reese (Cequent)
PO Box 4050, Dandenong South VIC 3164
Phone 1800 812 017 Email info@haymanreese.com.au

www.haymanreese.com.au



HAYMAN REESE
PART No: 100854-WL
BMW X1, 3 Series, X5, X6

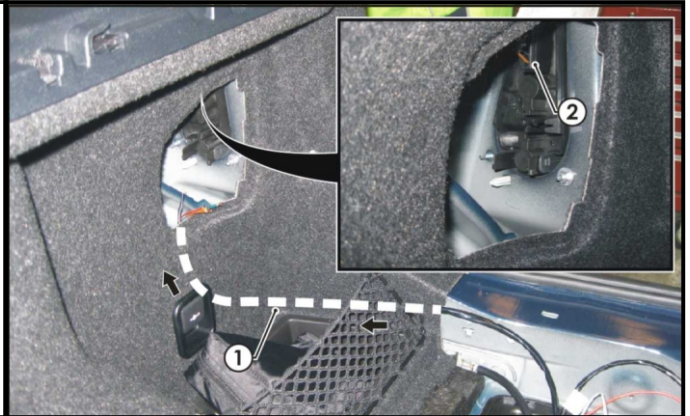
INSTALLATION INSTRUCTIONS

PLEASE ENSURE THAT INSTRUCTIONS ARE UNDERSTOOD PRIOR TO FITMENT

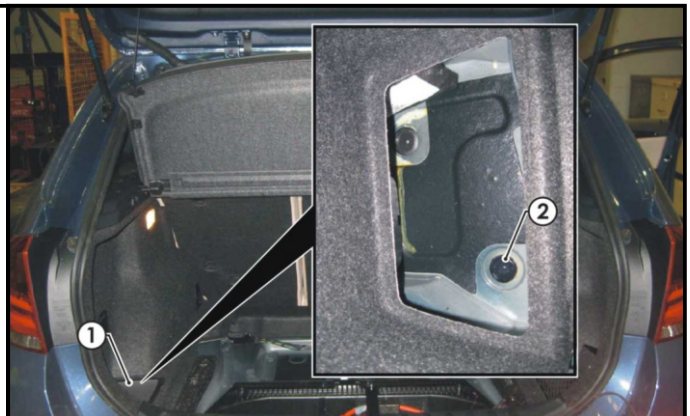
4. On the RHS of the luggage compartment, remove the access panel cover (1).



5. Route the trailer patch (P/No: 100854-WL) (1) underneath the RHS side trim towards the RHS tail light assembly connector (2).



6. On the LHS of the luggage compartment, remove the storage compartment (1).
7. Underneath the storage compartment, remove the vehicle grommet (2).
8. Drill the grommet hole out to Ø30mm. File any rough or sharp edges and spray on rust inhibitor.



Issue Date 19-12-19

Page 3

Part No: 100854-WL

Hayman Reese (Cequent)
PO Box 4050, Dandenong South VIC 3164
Phone 1800 812 017 Email info@haymanreese.com.au

www.haymanreese.com.au



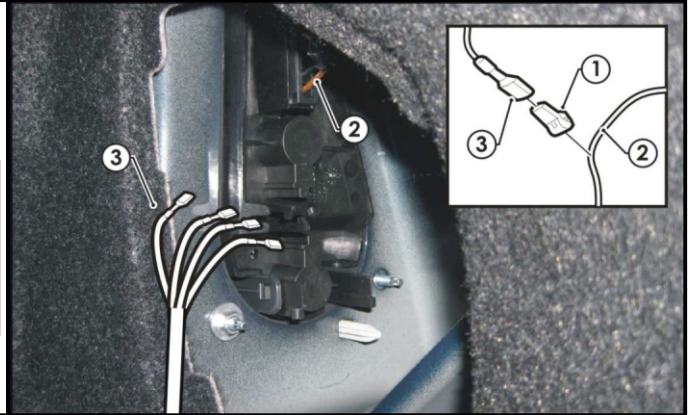
HAYMAN REESE
PART No: 100854-WL
BMW X1, 3 Series, X5, X6

INSTALLATION INSTRUCTIONS

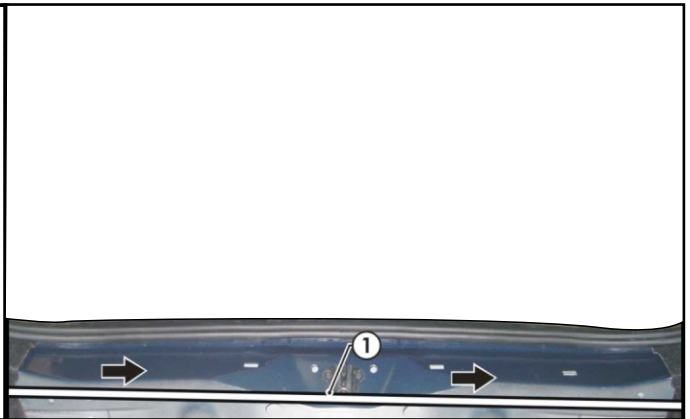
PLEASE ENSURE THAT INSTRUCTIONS ARE UNDERSTOOD PRIOR TO FITMENT

9. Following the table below, connect the ezy-taps (1) to the vehicle harness wires (2), then connect the trailer harness terminals (3) to the corresponding wires (2).

Function	Trailer Patch	Vehicle Connector
R.IND	GREEN/BLACK	BLUE/BROWN
REVERSE	BLACK/WHITE	BLACK/PURPLE
TAIL/BRAKE	BROWN/BLACK X1 / 3 SERIES	BLACK/BLUE

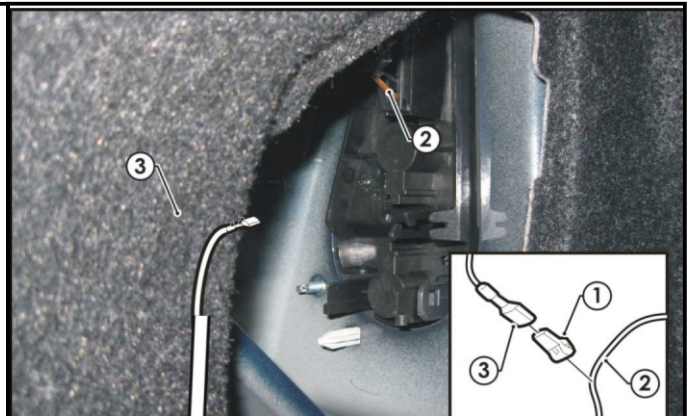


10. Route the trailer patch across the rear of the luggage compartment towards the LHS of the vehicle.



11. Following the table below, connect the ezy-tap (1) to the vehicle harness wire (2) then connect the trailer harness terminal (3) to the corresponding wire (2).

Function	Trailer Patch	Vehicle Connector
L.IND	YELLOW / BLACK	BLUE / GREEN



Issue Date 19-12-19

Page 4

Part No: 100854-WL

Hayman Reese (Cequent)
 PO Box 4050, Dandenong South VIC 3164
 Phone 1800 812 017 Email info@haymanreese.com.au

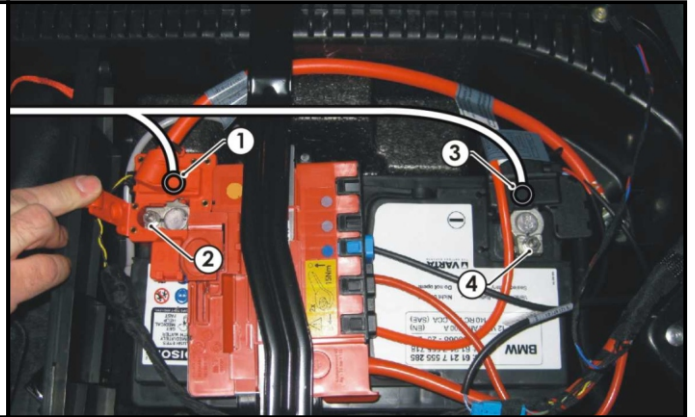


HAYMAN REESE
PART No: 100854-WL
BMW X1, 3 Series, X5, X6

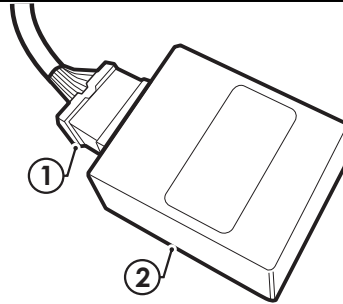
INSTALLATION INSTRUCTIONS

PLEASE ENSURE THAT INSTRUCTIONS ARE UNDERSTOOD PRIOR TO FITMENT

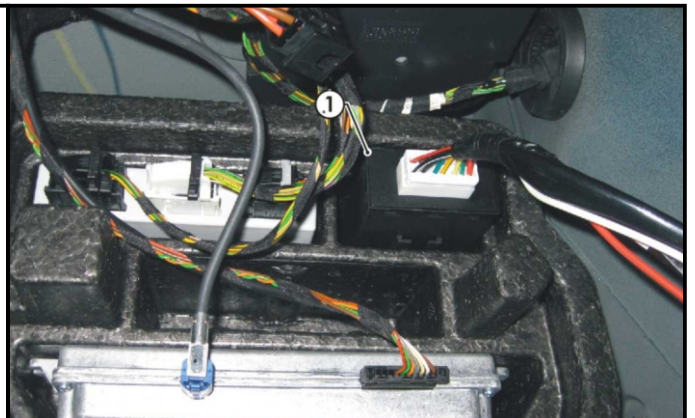
12. Connect the trailer patch power ring terminal (1) to the vehicle battery positive terminal (2).
13. Connect the trailer patch ground ring terminal (3) to the vehicle battery negative terminal (4).



14. Connect the trailer patch 12-way connector (1) to the ECU (2).
- (For X1 with Brake and Tail on separate circuits, use ECU 04829. For X1 with Brake and Tail on the same circuit, use ECU 04838).



15. Slot the ECU (1) into one vacant slot on the RHS foam compartment.



Issue Date 19-12-19

Page 5

Part No: 100854-WL

Hayman Reese (Cequent)
PO Box 4050, Dandenong South VIC 3164
Phone 1800 812 017 Email info@haymanreese.com.au

www.haymanreese.com.au



HAYMAN REESE
PART No: 100854-WL
BMW X1, 3 Series, X5, X6

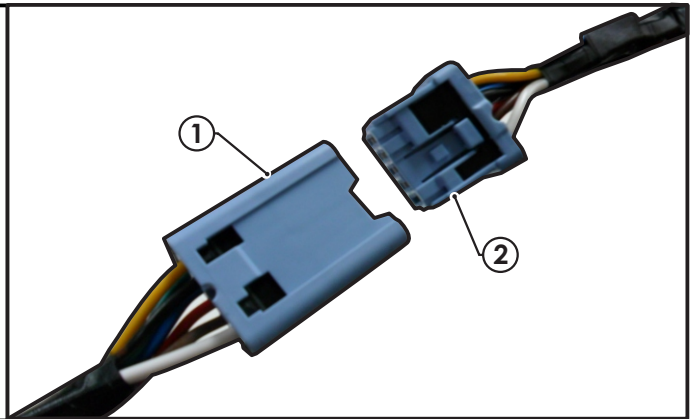
INSTALLATION INSTRUCTIONS

PLEASE ENSURE THAT INSTRUCTIONS ARE UNDERSTOOD PRIOR TO FITMENT

16. Route the tail harness (tail length 1800mm) (1) through the previously drilled out grommet hole towards the towbar.
17. Mount the trailer socket (2) to the towbar mounting bracket using M4 fasteners (not supplied).
18. Ensure the tail harness grommet is seated correctly and secure in place using a cable tie (not supplied).



19. Connect the tail harness 8-way connector (1) to the trailer patch 8-way mating connector (2).



20. Test the trailer harness function using a Light Board or multi-meter.
21. Secure all harness using cable ties (not supplied).
22. Re-fit removed parts and secure all fasteners, ensuring there are no squeaks or rattles.
23. Place instructions in glove box after fitment.

Issue Date 19-12-19

Page 6

Part No: 100854-WL

Hayman Reese (Cequent)
PO Box 4050, Dandenong South VIC 3164
Phone 1800 812 017 Email info@haymanreese.com.au

www.haymanreese.com.au



HAYMAN REESE
PART No: 100854-WL
BMW X1, 3 Series, X5, X6

INSTALLATION INSTRUCTIONS

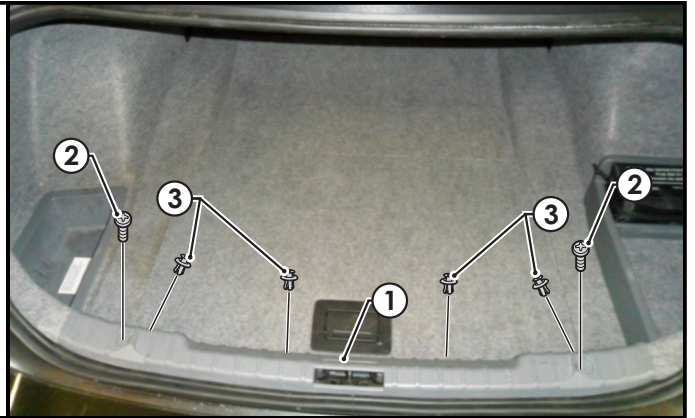
PLEASE ENSURE THAT INSTRUCTIONS ARE UNDERSTOOD PRIOR TO FITMENT

The following steps are for BMW 3 Series models only. For X1 models, please refer to page 2. For X5 & X6, please proceed to page 12.

1. In the luggage compartment, remove the floor carpet cover (1).

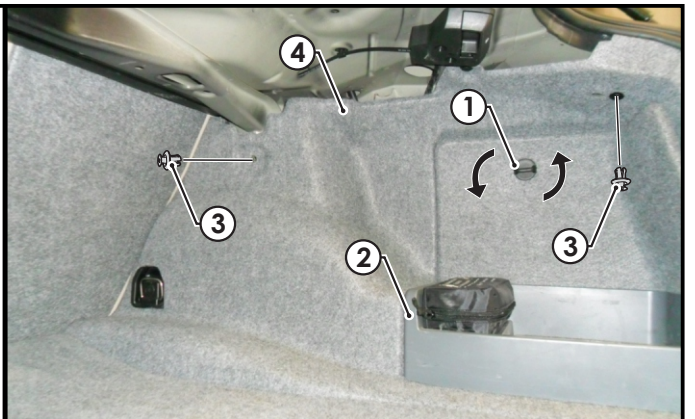


2. Remove the rear luggage compartment trim (1) by first removing the two screws (2) and the four clips (3).



3. On the RHS of the luggage compartment, locate the indicated clip (1), turn 90° to release and remove the storage tray (2).
4. Remove the two fasteners (3) and dislodge the luggage compartment trim (4).

Repeat for the LHS.



Issue Date 19-12-19

Page 7

Part No: 100854-WL

Hayman Reese (Cequent)
PO Box 4050, Dandenong South VIC 3164
Phone 1800 812 017 Email info@haymanreese.com.au

www.haymanreese.com.au



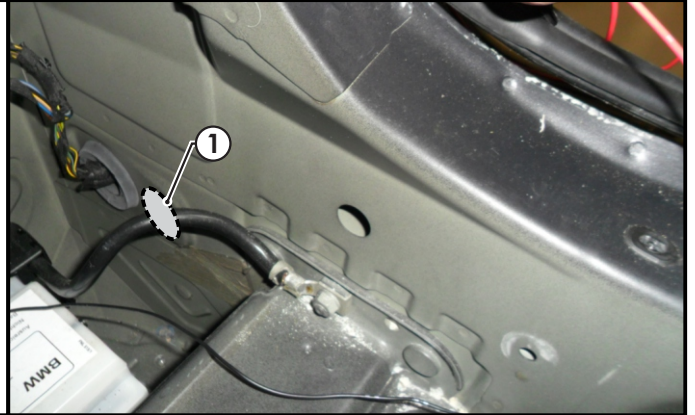
HAYMAN REESE
PART No: 100854-WL
BMW X1, 3 Series, X5, X6

INSTALLATION INSTRUCTIONS

PLEASE ENSURE THAT INSTRUCTIONS ARE UNDERSTOOD PRIOR TO FITMENT

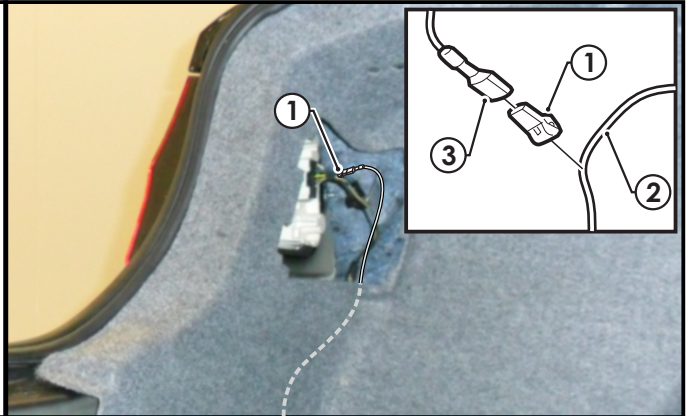
5. On the RHS rear quarter panel inside the luggage compartment, remove the vehicle blanking grommet.

Note: If existing grommet hole is occupied, drill a Ø30mm (1) in the location shown.

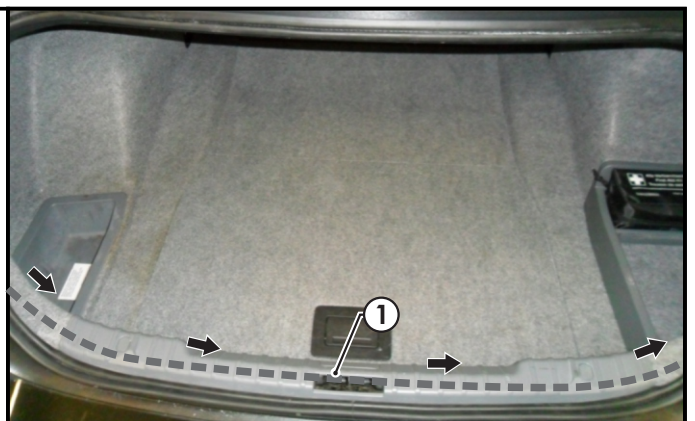


6. Following the table below, connect the ezy-tap (1) to the vehicle harness wire (2), then connect the trailer harness terminal (3) to the ezy-tap (1).

Function	Trailer Patch	Vehicle Connector
L.IND	YELLOW / BLACK	BLUE / GREEN



7. Route the trailer patch (P/No: 100854-WL) (1) along the rear of the luggage compartment towards the RHS.



Issue Date 19-12-19

Page 8

Part No: 100854-WL

Hayman Reese (Cequent)
 PO Box 4050, Dandenong South VIC 3164
 Phone 1800 812 017 Email info@haymanreese.com.au



HAYMAN REESE

PART No: 100854-WL
BMW X1, 3 Series, X5, X6

INSTALLATION INSTRUCTIONS

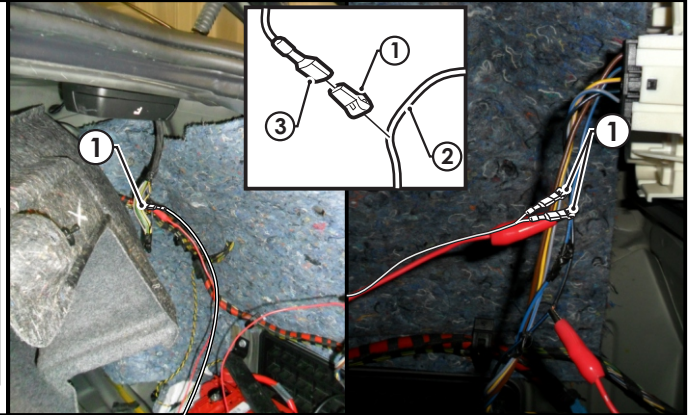
PLEASE ENSURE THAT INSTRUCTIONS ARE UNDERSTOOD PRIOR TO FITMENT

Refer to Step 8 and 9 tables to determine the wire colours present in the vehicle harness tail light wires and follow the applicable step:

8. On the RHS of the luggage compartment, following the table below, connect the ezy-taps (1) to the vehicle harness wires (2), then connect the trailer harness terminals (3) to the corresponding wires (2):

Function	Trailer Patch	Vehicle Connector
R.IND	GREEN/BLACK	BLUE/BROWN
REVERSE	BLACK/WHITE	BLACK/PURPLE
TAIL /BRAKE	BROWN/BLACK (use X1 - X3 labelled)	BLACK/BLUE

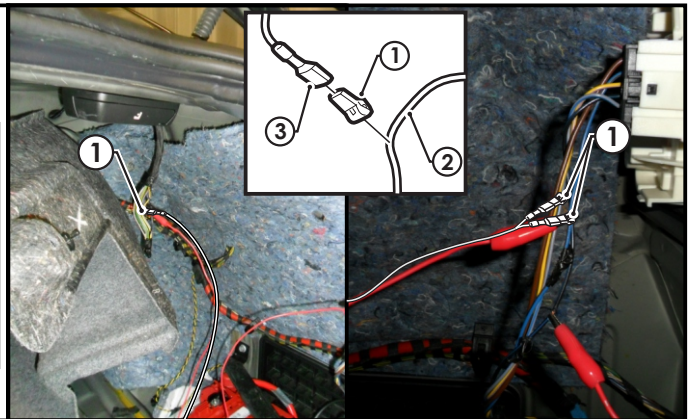
Note: Vehicles with this wiring need to use ECU P/No: 04838



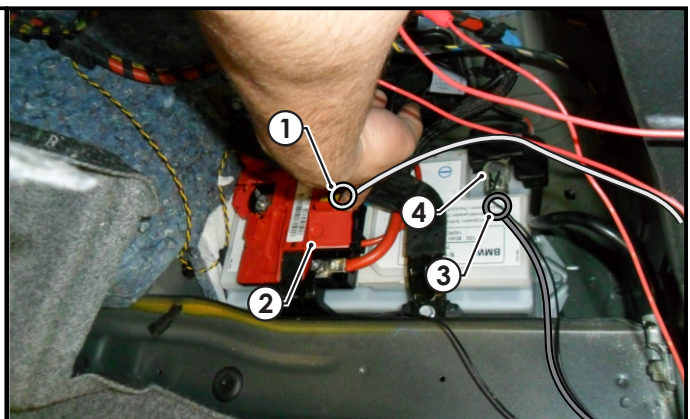
9. On the RHS of the luggage compartment, following the table below, connect the ezy-taps (1) to the vehicle harness wires (2), then connect the trailer harness terminals (3) to the corresponding wires (2):

Function	Trailer Patch	Vehicle Connector
R.IND	GREEN/BLACK	BLUE/BROWN
REVERSE	BLACK/WHITE	BLACK/PURPLE
BRAKE	RED/BLACK (use X5/X6/X3 2015 on labelled)	BLACK/BLUE
TAIL	BROWN/BLACK (use X5/X6/X3 2015 on labelled)	YELLOW/BROWN

Note: Vehicles with this wiring need to use ECU P/No: 04829.



10. Connect the trailer patch power ring terminal (1) to the vehicle battery positive terminal (2).
11. Connect the trailer patch ground ring terminal (3) to the vehicle battery negative terminal (4).



Issue Date 19-12-19

Page 9

Part No: 100854-WL

Hayman Reese (Cequent)
PO Box 4050, Dandenong South VIC 3164
Phone 1800 812 017 Email info@haymanreese.com.au

www.haymanreese.com.au



HAYMAN REESE
PART No: 100854-WL
BMW X1, 3 Series, X5, X6

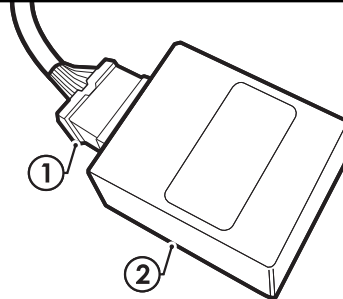
INSTALLATION INSTRUCTIONS

PLEASE ENSURE THAT INSTRUCTIONS ARE UNDERSTOOD PRIOR TO FITMENT

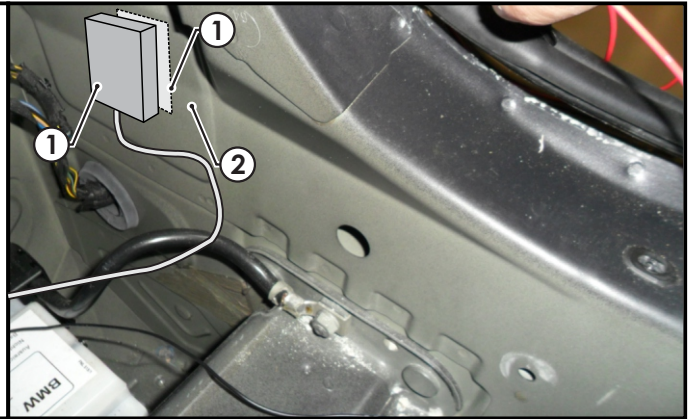
12. If the vehicle tail light wiring has a shared BRAKE / TAIL signal on one BLACK / BLUE wire, then use ECU P/No: 04838.

If the vehicle tail light wiring has an individual TAIL signal on a separate YELLOW / BROWN wire, then use ECU P/No: 04829.

13. Connect the trailer patch ECU connector (1) to the ECU (2).



14. Apply double sided tape to the ECU (1) and adhere it to the vehicle sheet metal (2) on the RHS of the rear quarter panel of the luggage compartment.



15. Route the tail harness (tail length 1200mm) (1) through the previously drilled out grommet hole towards the towbar.

16. Mount the trailer socket (2) to the towbar mounting bracket using M4 fasteners (not supplied).

17. Ensure the tail harness grommet is seated correctly and secure in place using a cable tie (not supplied).



Issue Date 19-12-19

Page 10

Part No: 100854-WL

Hayman Reese (Cequent)
PO Box 4050, Dandenong South VIC 3164
Phone 1800 812 017 Email info@haymanreese.com.au

www.haymanreese.com.au

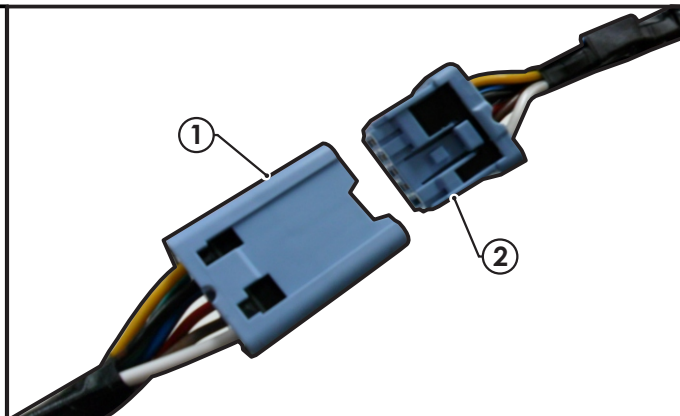


HAYMAN REESE
PART No: 100854-WL
BMW X1, 3 Series, X5, X6

INSTALLATION INSTRUCTIONS

PLEASE ENSURE THAT INSTRUCTIONS ARE UNDERSTOOD PRIOR TO FITMENT

18. Connect the tail harness 8-way connector (1) to the trailer patch 8-way mating connector (2).



19. Test the trailer harness function using a Light Board or multi-meter.
20. Secure all harness using cable ties (not supplied).
21. Re-fit removed parts and secure all fasteners, ensuring there are no squeaks or rattles.
22. Place instructions in glove box after fitment.

Issue Date 19-12-19

Page 11

Part No: 100854-WL

Hayman Reese (Cequent)
PO Box 4050, Dandenong South VIC 3164
Phone 1800 812 017 Email info@haymanreese.com.au

www.haymanreese.com.au



HAYMAN REESE
PART No: 100854-WL
BMW X1, 3 Series, X5, X6

INSTALLATION INSTRUCTIONS

PLEASE ENSURE THAT INSTRUCTIONS ARE UNDERSTOOD PRIOR TO FITMENT

The following steps are for BMW X5 & X6 models only. For X1 models, please refer to page 2. For 3 Series, please proceed to page 7.

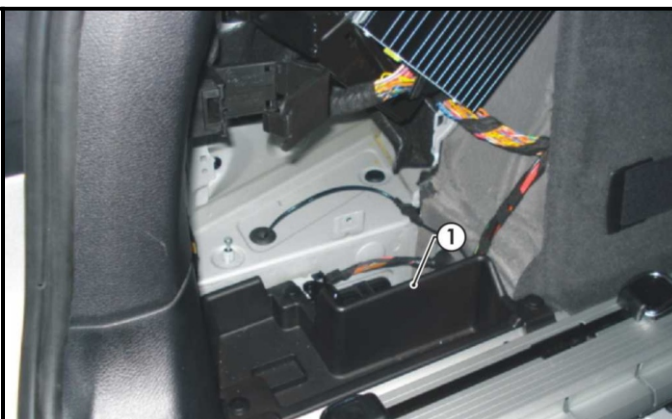
1. In the luggage compartment, remove the floor carpet cover (1).
2. Remove the LHS & RHS access panel covers (2).



3. Remove the tool storage tray (1) by first removing the fasteners.



4. Remove the LHS storage compartment (1).



Issue Date 19-12-19

Page 12

Part No: 100854-WL

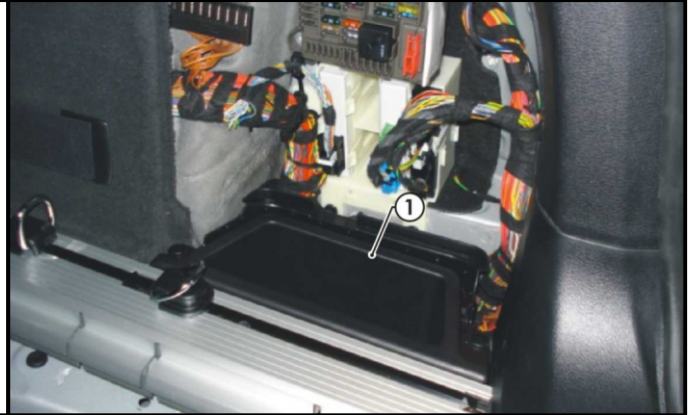
Hayman Reese (Cequent)
PO Box 4050, Dandenong South VIC 3164
Phone 1800 812 017 Email info@haymanreese.com.au

HAYMAN REESE
PART No: 100854-WL
BMW X1, 3 Series, X5, X6

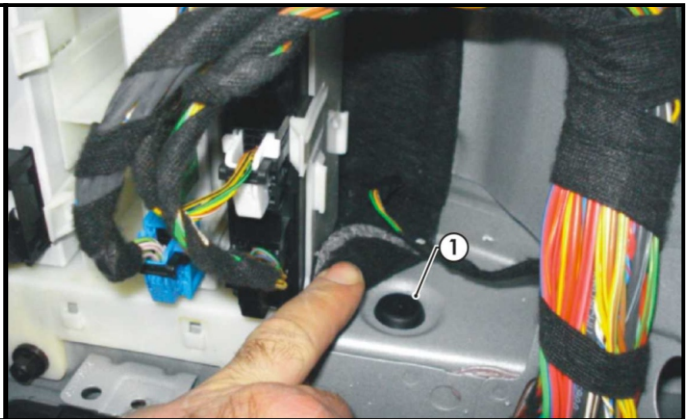
INSTALLATION INSTRUCTIONS

PLEASE ENSURE THAT INSTRUCTIONS ARE UNDERSTOOD PRIOR TO FITMENT

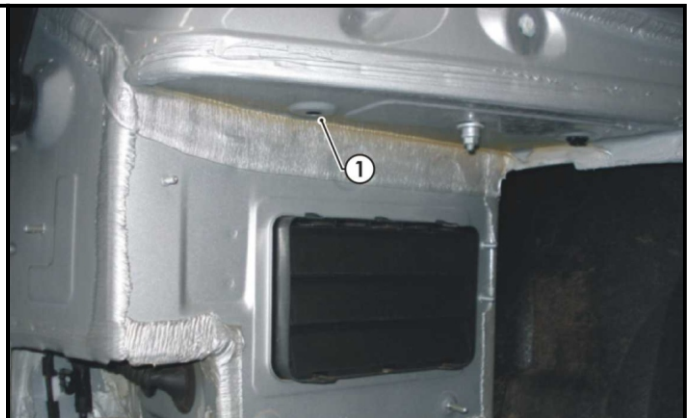
5. Remove the RHS storage compartment (1).



6. In the RHS of the luggage compartment, lift up the carpet cover and remove the vehicle grommet (1).



7. From the outside of the vehicle, drill out the grommet hole (1) to Ø30mm. File any rough or sharp edges and spray on rust inhibitor.



Issue Date 19-12-19

Page 13

Part No: 100854-WL

Hayman Reese (Cequent)
PO Box 4050, Dandenong South VIC 3164
Phone 1800 812 017 Email info@haymanreese.com.au

HAYMAN REESE

PART No: 100854-WL

BMW X1, 3 Series, X5, X6

INSTALLATION INSTRUCTIONS

PLEASE ENSURE THAT INSTRUCTIONS ARE UNDERSTOOD PRIOR TO FITMENT

8. Following the table below, connect the ezy-tap (1) to the vehicle harness wire (2) and then connect the trailer harness terminal (3) to the corresponding wire (2).

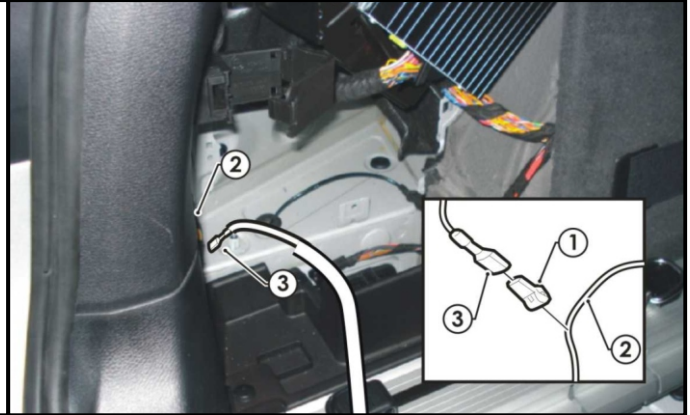
Function	Trailer Patch	Vehicle Connector
L.IND	YELLOW / BLACK	BLUE / BROWN

For MY10 X5 vehicles:

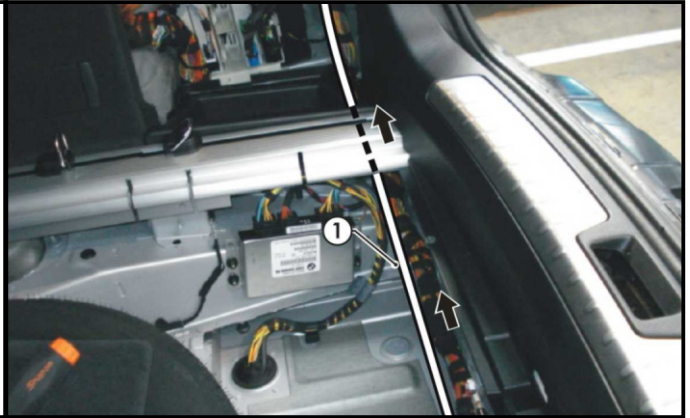
Function	Trailer Patch	Vehicle Connector
L.IND	YELLOW / BLACK	GREEN / BLUE

For MY13 vehicles:

Function	Trailer Patch	Vehicle Connector
L.IND	YELLOW / BLACK	BLACK / WHITE



9. Route the trailer patch (P/No: 100854-WL) (1) along the vehicle harness towards the RHS tail light connector.

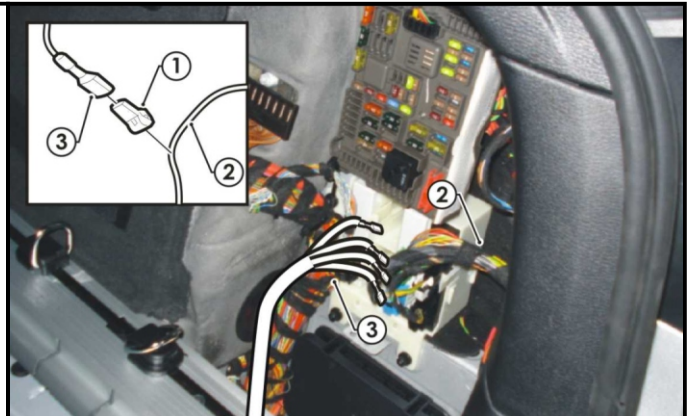


10. Following the table below, connect the ezy-taps (1) to the vehicle harness wires (2) and then connect the trailer harness terminals (3) to the corresponding wires (2).

Function	Trailer Patch	Vehicle Connector
R.IND	GREEN / BLACK	BLUE / BROWN
REVERSE	BLACK / WHITE	BLACK / YELLOW
TAIL	BROWN / BLACK (X5 & X6)	YELLOW / PURPLE
BRAKES	RED / BLACK	BLACK / WHITE

For MY10 X5 Vehicles:

Function	Trailer Patch	Vehicle Connector
R.IND	GREEN / BLACK	BLUE / BROWN
REVERSE	BLACK / WHITE	BLUE / YELLOW
TAIL	BROWN / BLACK (X5 & X6)	YELLOW / PURPLE
BRAKES	RED / BLACK	BLACK / BLUE



Issue Date 19-12-19

Page 14

Part No: 100854-WL

Hayman Reese (Cequent)

PO Box 4050, Dandenong South VIC 3164

Phone 1800 812 017 Email info@haymanreese.com.au

HAYMAN REESE
PART No: 100854-WL
BMW X1, 3 Series, X5, X6

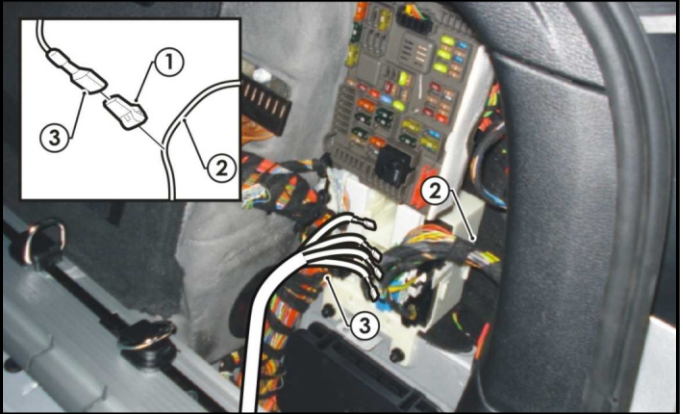
INSTALLATION INSTRUCTIONS

PLEASE ENSURE THAT INSTRUCTIONS ARE UNDERSTOOD PRIOR TO FITMENT

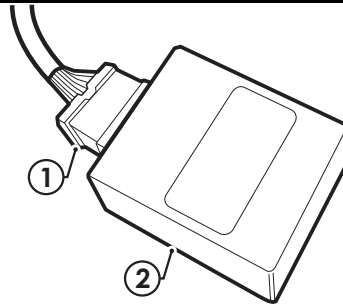
11. Following the table below, connect the ezy-taps (1) to the vehicle harness wires (2) and then connect the trailer harness terminals (3) to the corresponding wires (2).

For MY13 vehicles:

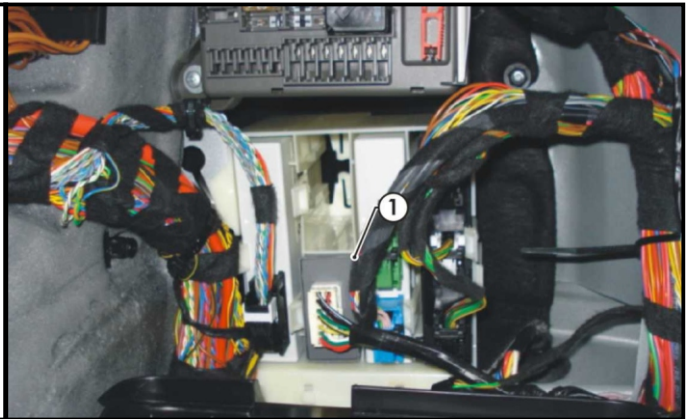
Function	Trailer Patch	Vehicle Connector
R.IND	BLACK / GREY	BLUE / BROWN
REVERSE	GREY / YELLOW	BLACK / YELLOW
TAIL	BLACK / BLUE	YELLOW / PURPLE
BRAKES	WHITE / BLACK	BLACK / WHITE



12. Connect the trailer patch 12-way connector (1) to the ECU (No: 04829) (2).



13. Slot the ECU (1) into the vacant slot underneath the fuse panel.



Issue Date 19-12-19

Page 15

Part No: 100854-WL

Hayman Reese (Cequent)
 PO Box 4050, Dandenong South VIC 3164
 Phone 1800 812 017 Email info@haymanreese.com.au

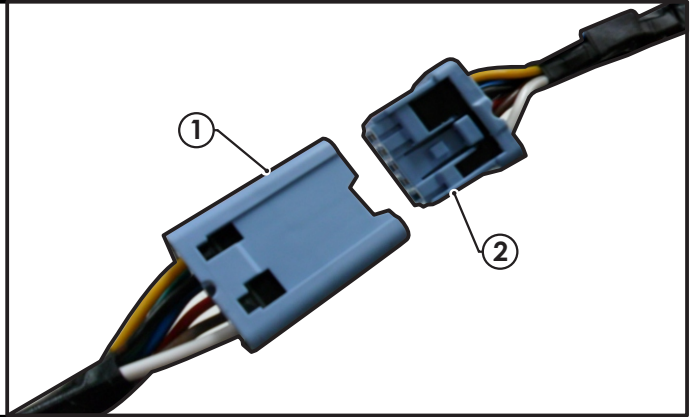


HAYMAN REESE
PART No: 100854-WL
BMW X1, 3 Series, X5, X6

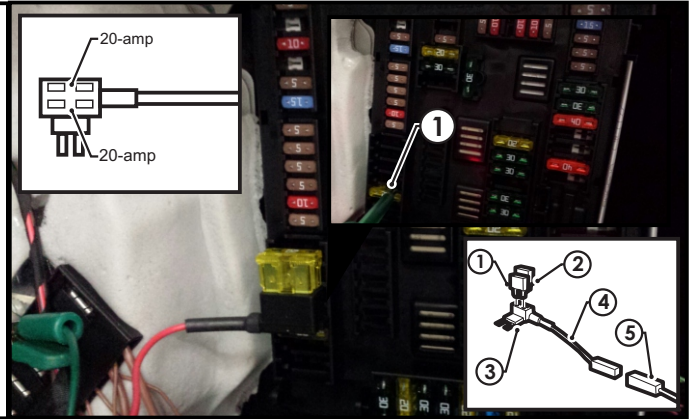
INSTALLATION INSTRUCTIONS

PLEASE ENSURE THAT INSTRUCTIONS ARE UNDERSTOOD PRIOR TO FITMENT

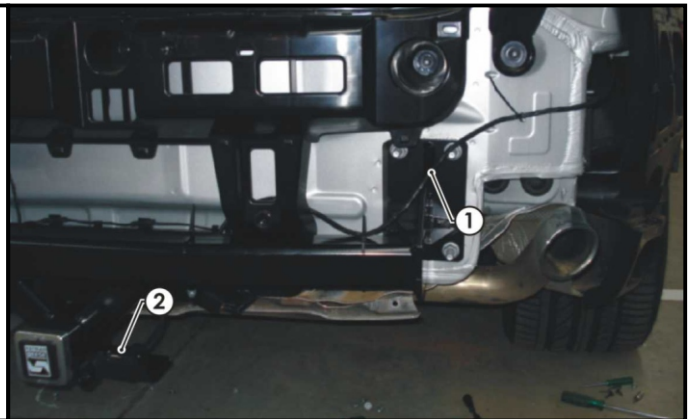
14. Connect the tail harness 8-way connector (1) to the trailer patch 8-way mating connector (2).



15. Remove the existing vehicle 20-amp fuse (1).
16. Slot the supplied 20-amp fuse (2) into the upper slot of the add-a-fuse harness (3).
17. Slot the existing vehicle 20-amp fuse (1) into the lower slot of the add-a-fuse harness (3).
18. Connect the add-a-fuse harness (4) to the mating trailer wiring harness connector (5).
19. Insert the add-a-fuse harness fuse connector (3) into the vacant slot.



20. Route the tail harness (1) through the previously drilled grommet hole towards the towbar.
21. Mount the trailer socket (2) to the towbar mounting bracket using M4 fasteners (not supplied).
22. Ensure the tail harness grommet is seated correctly and secure in place using a cable tie (not supplied).



Issue Date 19-12-19

Page 16

Part No: 100854-WL

Hayman Reese (Cequent)
PO Box 4050, Dandenong South VIC 3164
Phone 1800 812 017 Email info@haymanreese.com.au

HAYMAN REESE
PART No: 100854-WL
BMW X1, 3 Series, X5, X6

INSTALLATION INSTRUCTIONS

PLEASE ENSURE THAT INSTRUCTIONS ARE UNDERSTOOD PRIOR TO FITMENT

- | | |
|---|--|
| <ul style="list-style-type: none">23. Test the trailer harness function using a Light Board or multi-meter.24. Secure all harnesses using cable ties (not supplied).25. Re-fit all removed parts and secure all fasteners, ensuring there are no squeaks or rattles.26. Place instructions in glove box after fitment. | |
|---|--|

Issue Date 19-12-19

Page 17

Part No: 100854-WL

Hayman Reese (Cequent)
PO Box 4050, Dandenong South VIC 3164
Phone 1800 812 017 Email info@haymanreese.com.au

www.haymanreese.com.au

